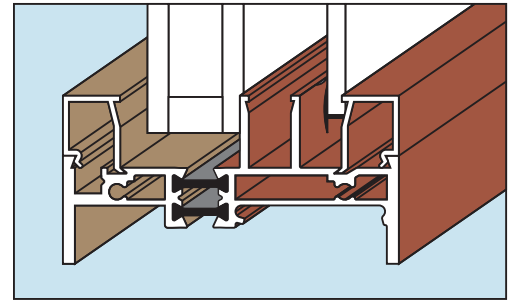
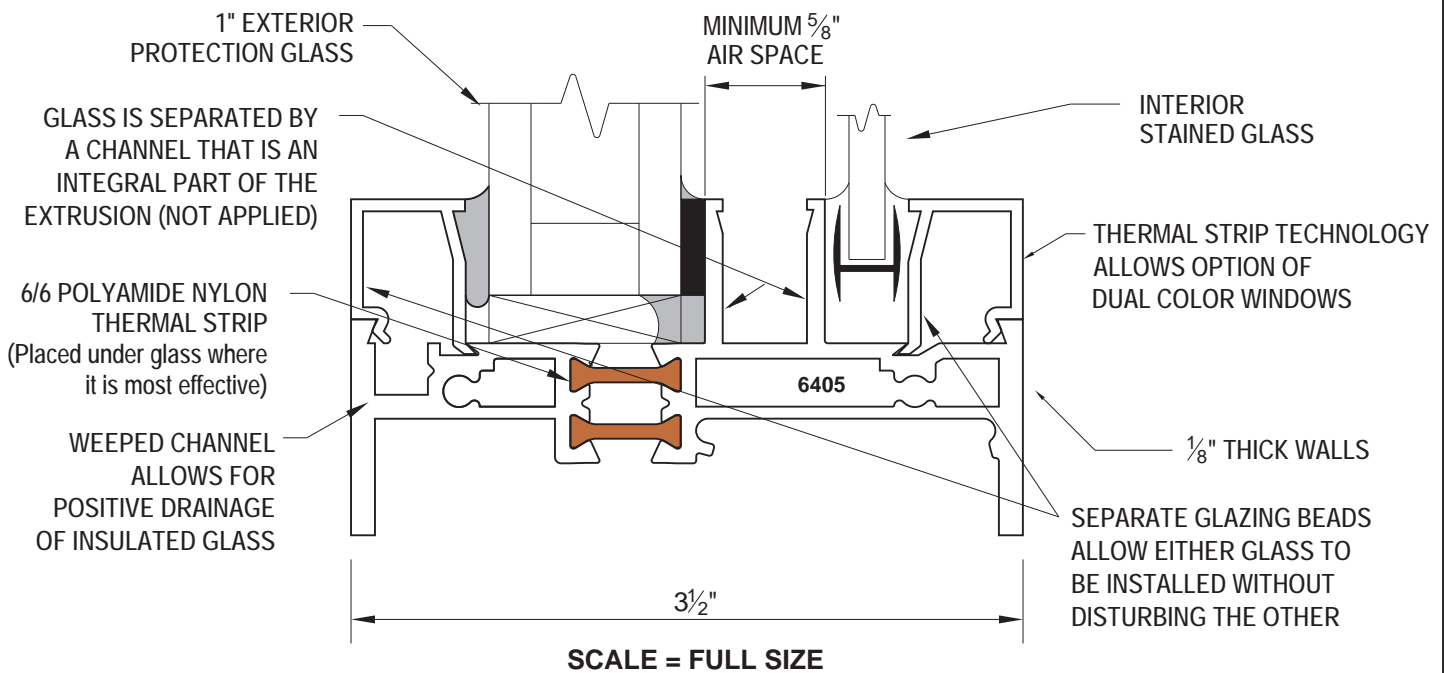




The 6400 Series is a heavy triple glazed church window incorporated into a 3½" thermally broken frame. The thermal break is achieved with the use of Thermal Strip technology©. Two different aluminum extrusions can be finished independent of each other and then joined with 6/6 polyamide nylon strips. The result is a stronger thermally improved window with the possibility of different finishes interior and exterior. This combination, along with triple contact weatherstripping in the ventilator, provides maximum condensation resistance and superior insulation making it the ideal choice for church windows when heating, condensation, noise and protection of stained glass are factors.

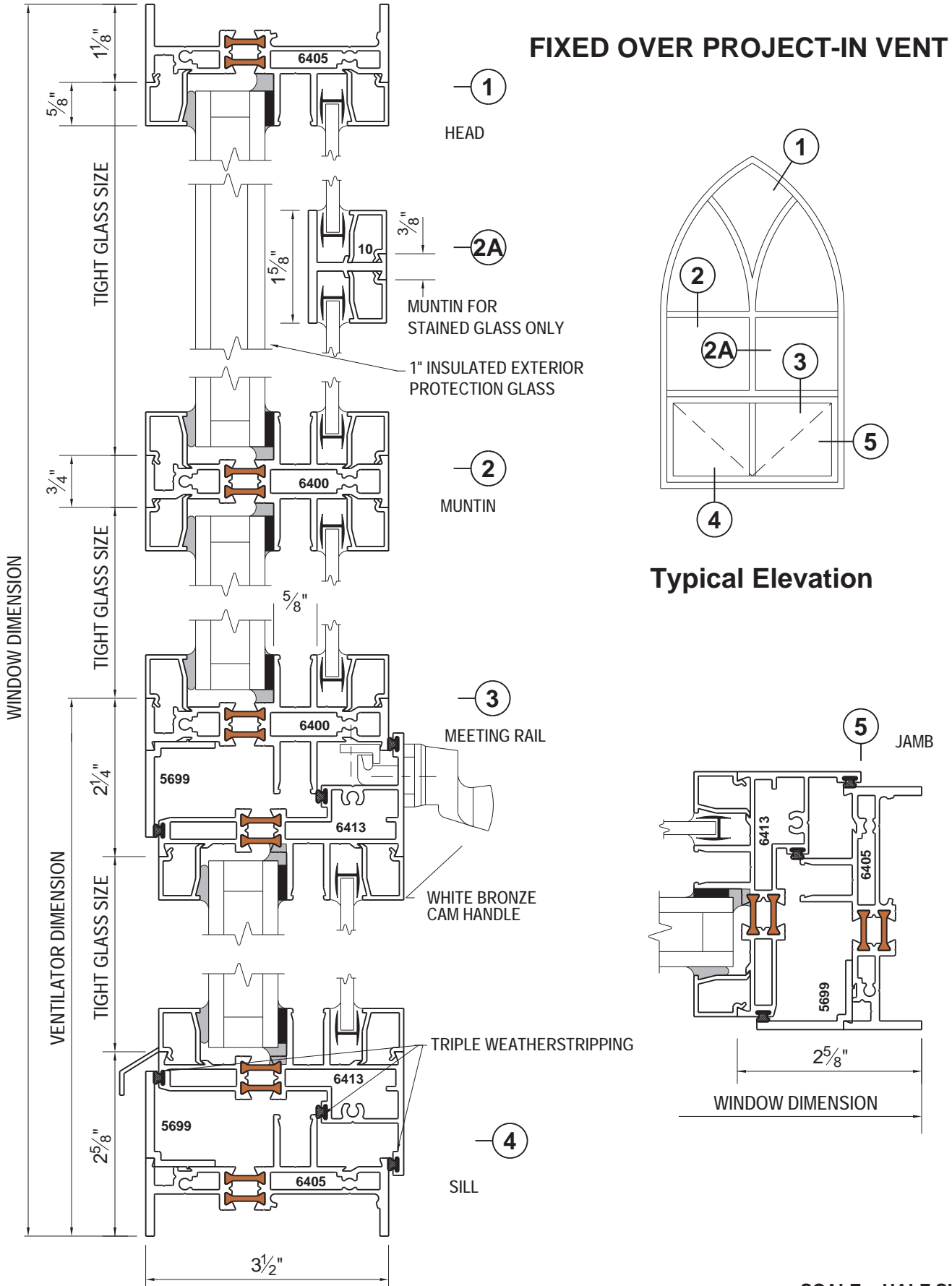


Different finishes can be on the interior and exterior

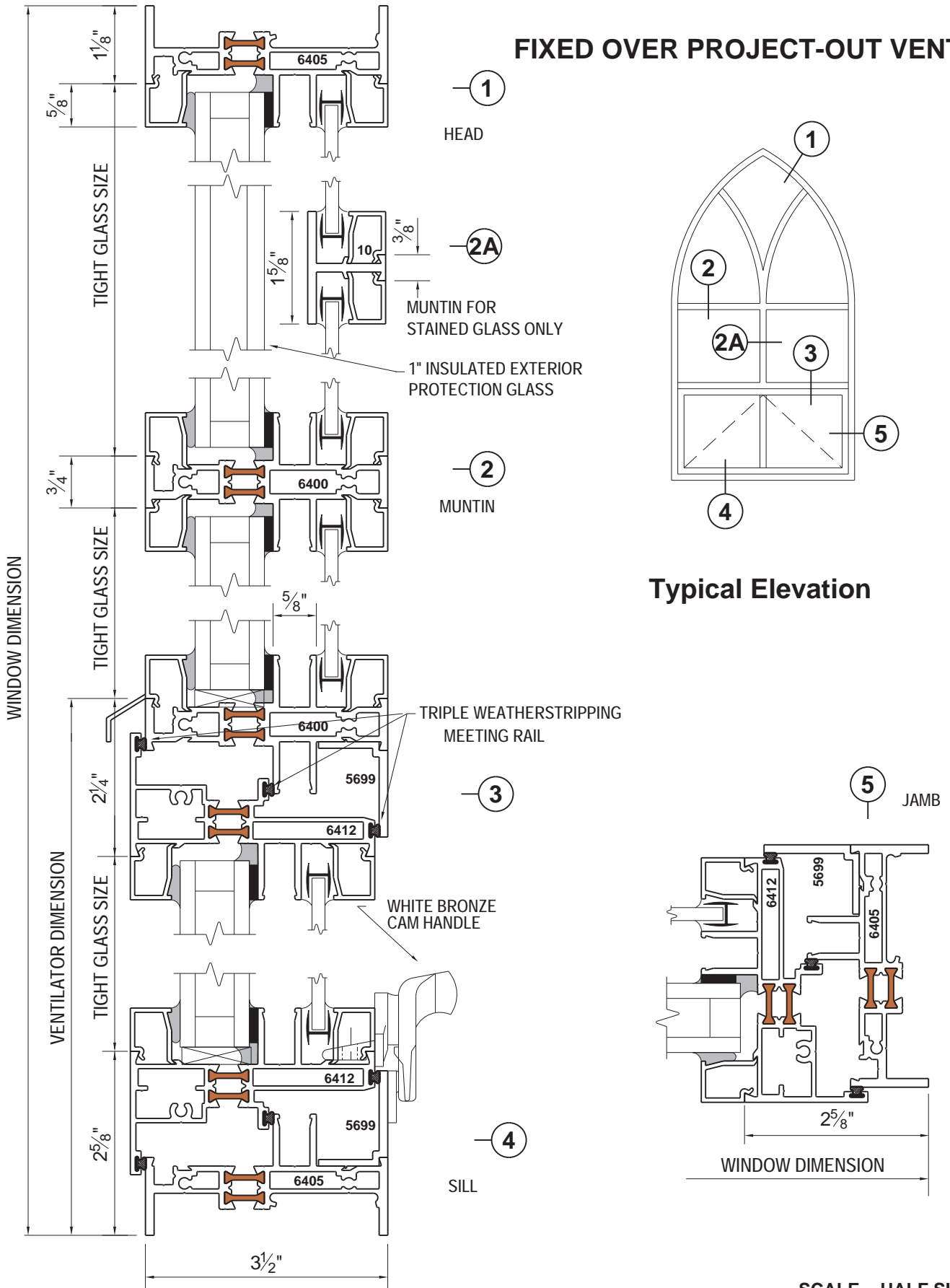


Features:

- Main frame and sash members are a full 3½" deep. Ventilators, frame, muntins and meeting rails are double tubular and will meet or exceed AAMA HC-50 monumental performance specifications.
- Triple glazed thermal barrier design that can accommodate 1" protective insulated glass with another 5/8" airspace between the art glass insulates the cold outside temperatures from the warmer inside temperature and helps eliminate condensation and noise infiltration.
- The thermal strip is a specially formulated and constructed extrusion of glass fiber reinforced 6/6 polyamide nylon. Besides being thermally efficient, these high strength strips have the same coefficient of expansion as aluminum so that the structural integrity of the window is intact.
- The separation of art and protective glass is achieved by a channel that is an integral part of the extrusion. (Not an add on piece.) This channel acts as a condensation gutter and helps prevent air and water infiltration.
- Ventilators have 3 rows of continuous weatherstripping.
- Windows can also accommodate interior faceted glass and an exterior protective glass.
- **Special Feature:** Large sections of insulated glass can be installed on the exterior and for the art glass special narrow siteline muntins can be placed in the interior of the frame in virtually any shape or size to suit the design and help keep costs down. (These interior muntins can also be installed at a later date to fit the design.)



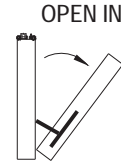
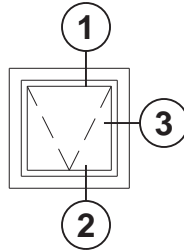
SCALE = HALF SIZE





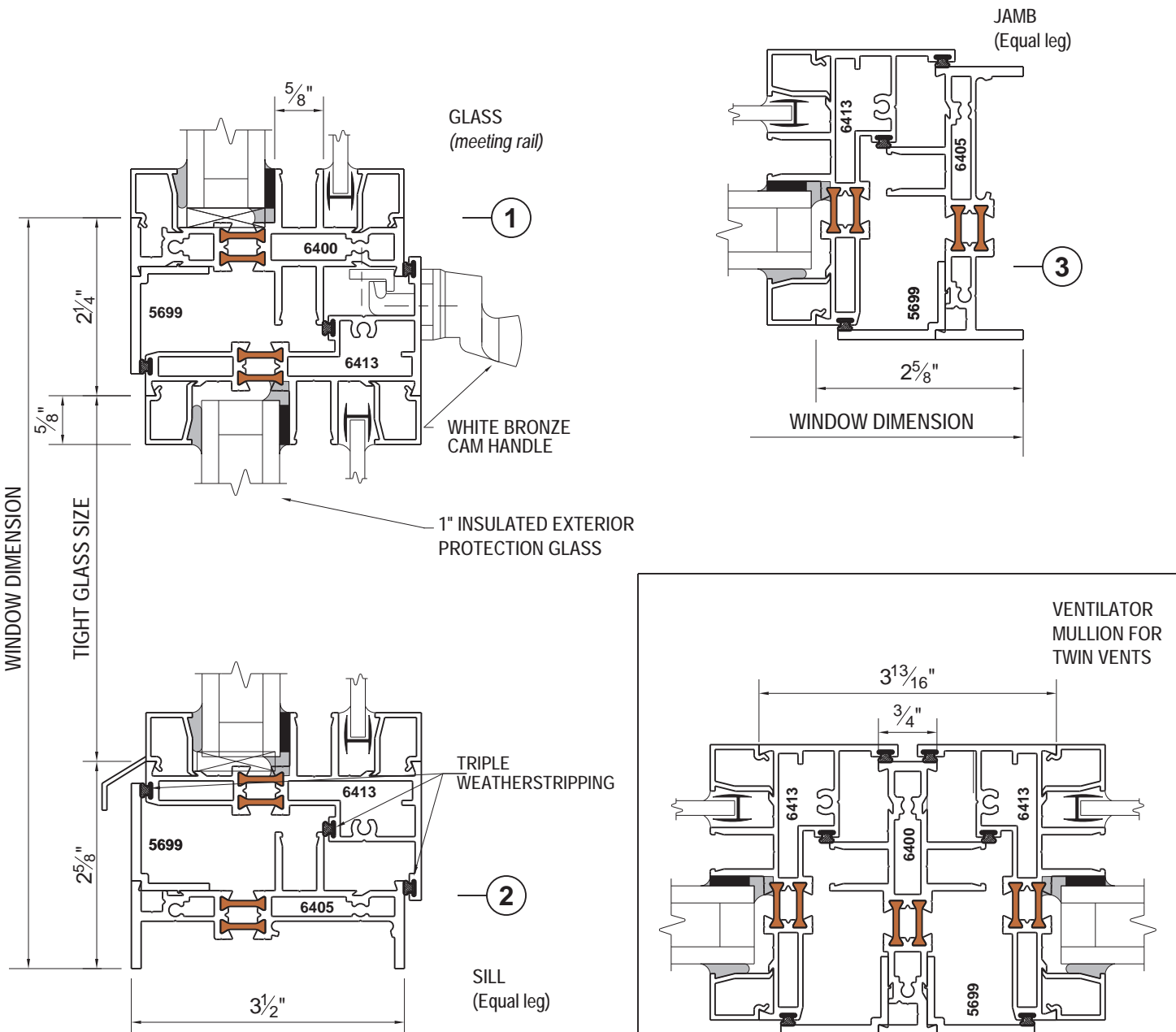
PROJECT-IN

(Inswing casement similar)

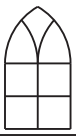


Standard Bottom Ventilator

(glass on top, equal leg jambs and sill)

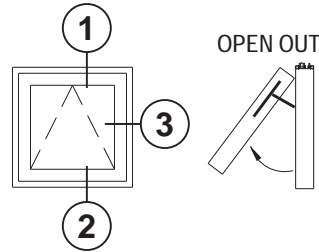


SCALE = HALF SIZE



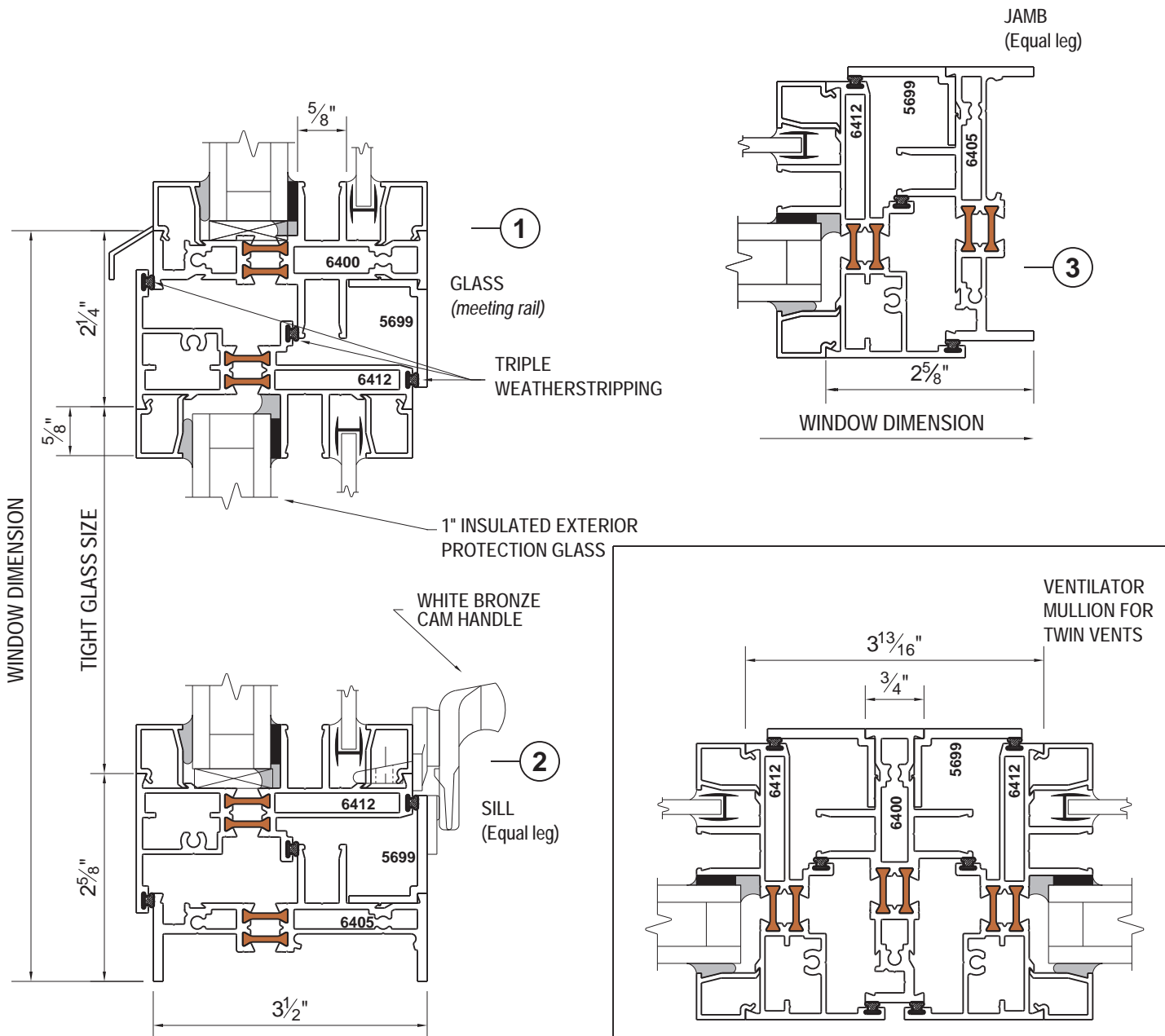
PROJECT-OUT

(Outswing casement similar)



Standard Bottom Ventilator

(glass on top, equal leg jambs and sill)



SCALE = HALF SIZE

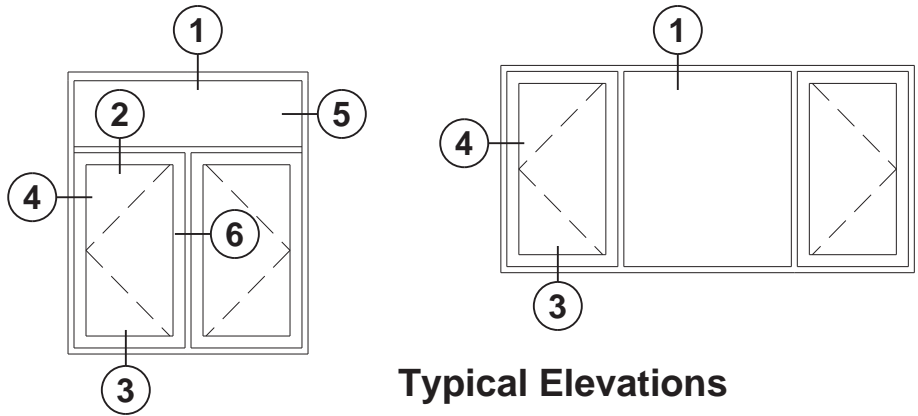


Since 1906

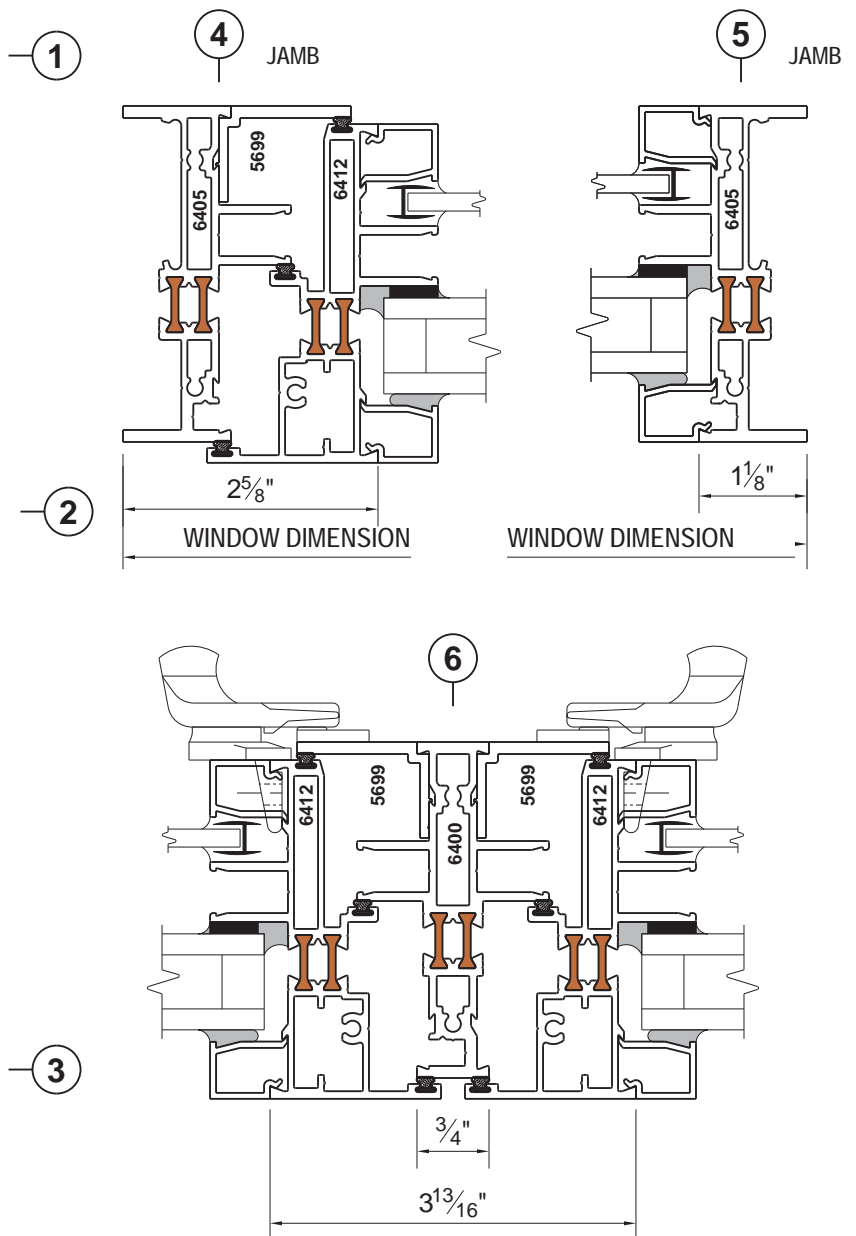
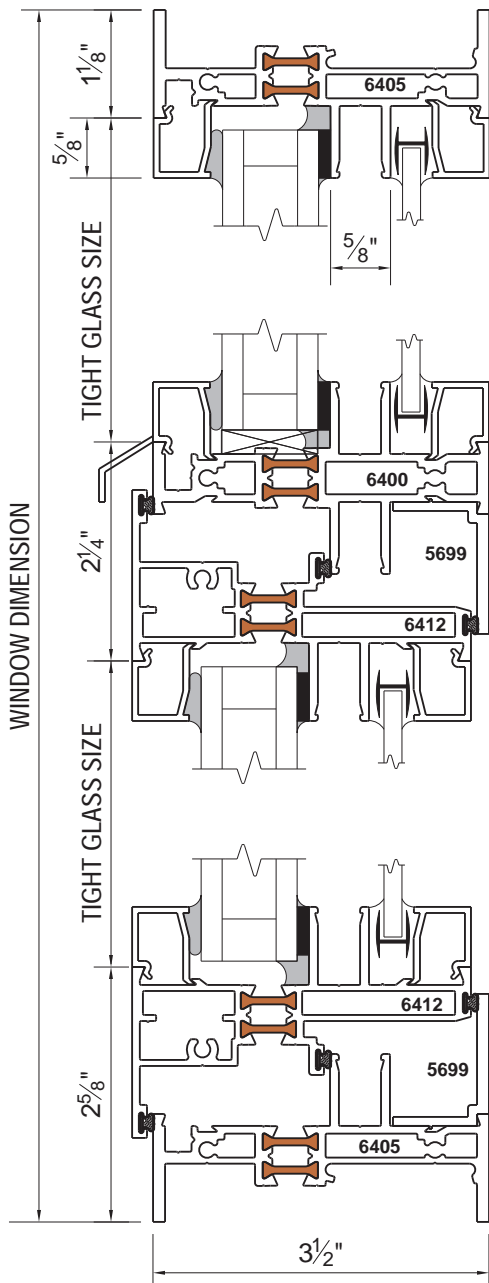
America's finest custom windows

OUTSWING CASEMENT

Push-pull operation with cam handles and stainless steel concealed 4 bar hinges are standard.



Typical Elevations



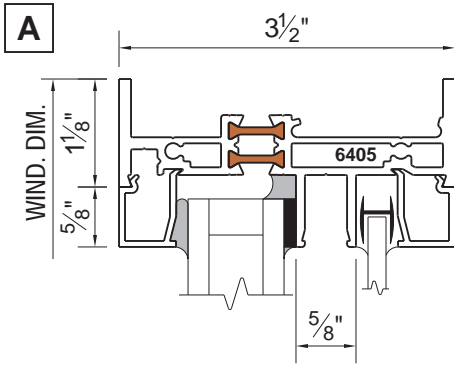
SCALE = HALF SIZE



Since 1906

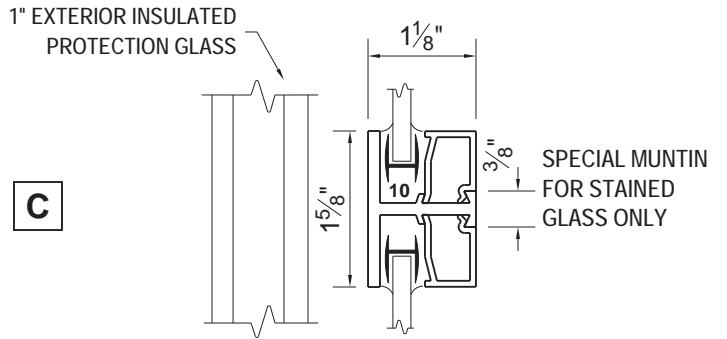
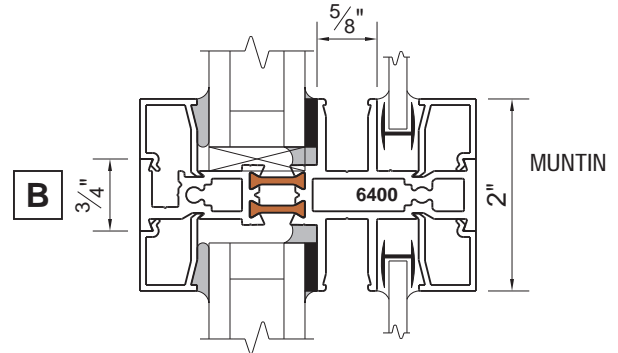
America's finest custom windows

Fixed Perimeter Frame Sections

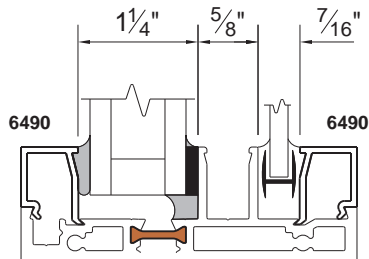


EQUAL LEG
(standard)

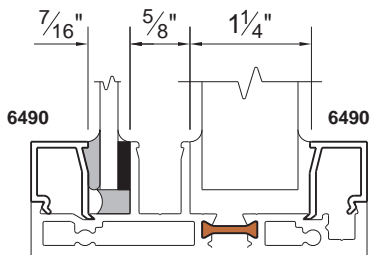
Muntins



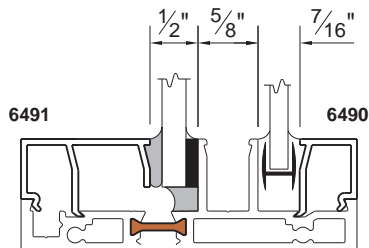
Glazing Options



1" INSULATED PROTECTION
GLASS EXTERIOR
STAINED GLASS INTERIOR
(standard)

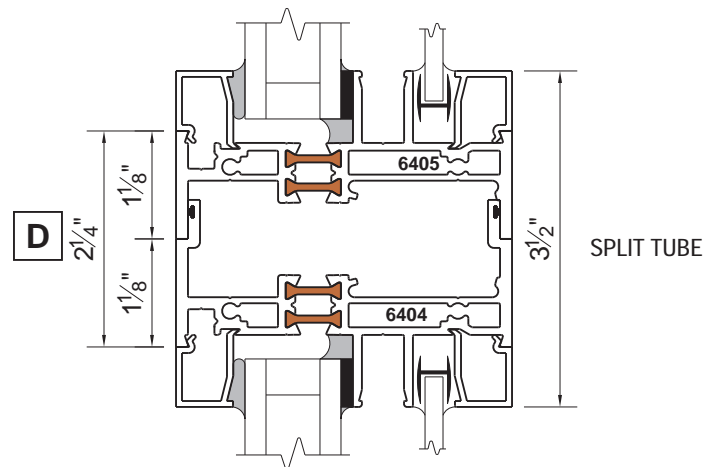


MONOLITHIC PROTECTION
GLASS EXTERIOR
FACETED GLASS INTERIOR



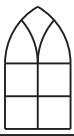
MONOLITHIC PROTECTION
GLASS EXTERIOR
STAINED GLASS INTERIOR

Vertical and Horizontal Stacking



Note: With different glazing gaskets and tapes, many more variations on glass thicknesses are available.

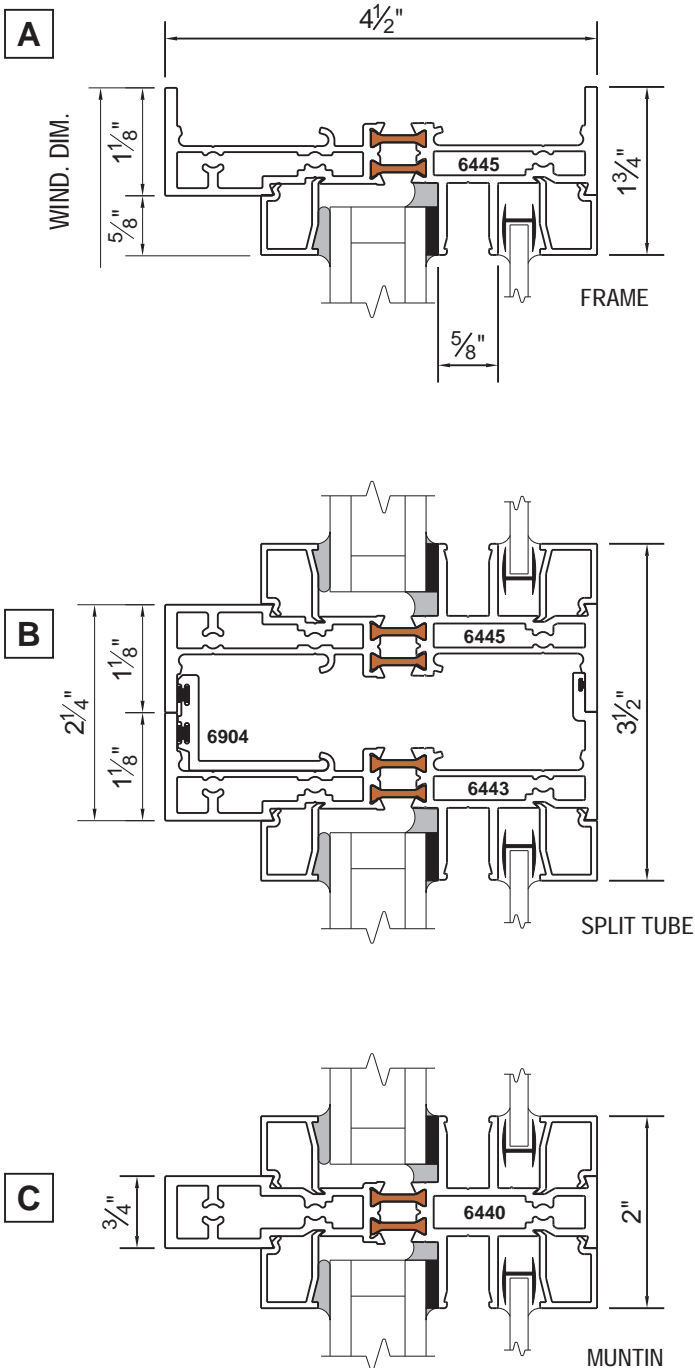
SCALE = HALF SIZE



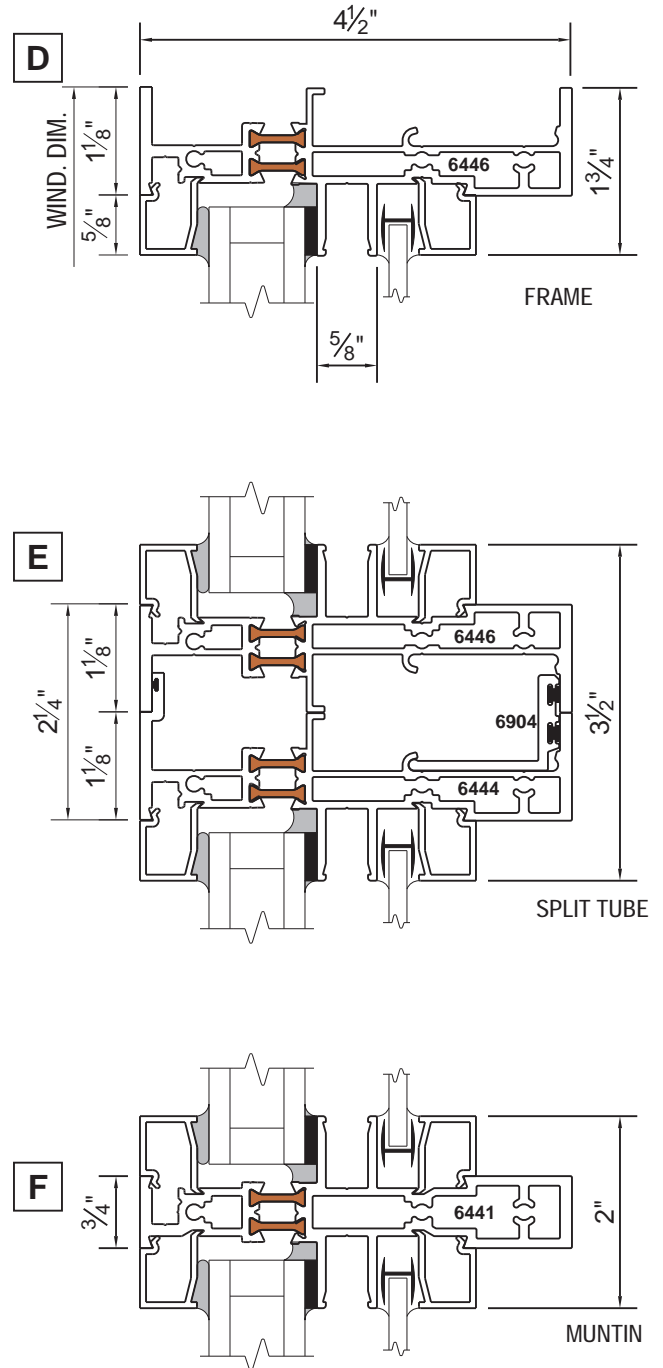
6440 Series - 4 1/2" Deep Windows

The 6440 Series is 4 1/2" deep and is used for large windows or for design variation. The 6450 Series lines up with, and is interchangeable with the 6400 and 6450 Series. 6400 Series ventilators can easily be incorporated into the 6440 Series. All sections can be used horizontally or vertically.

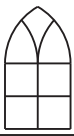
Protruding On Exterior



Protruding On Interior



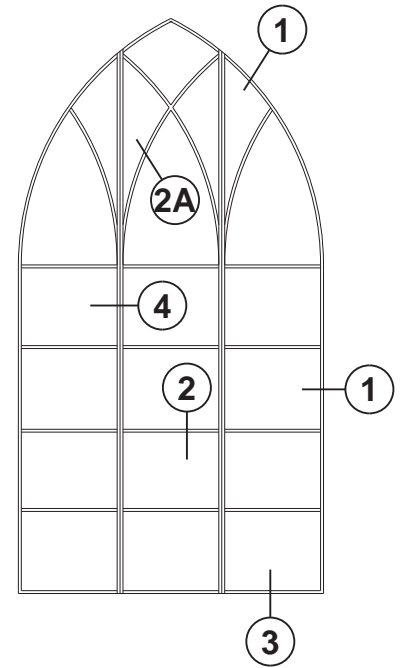
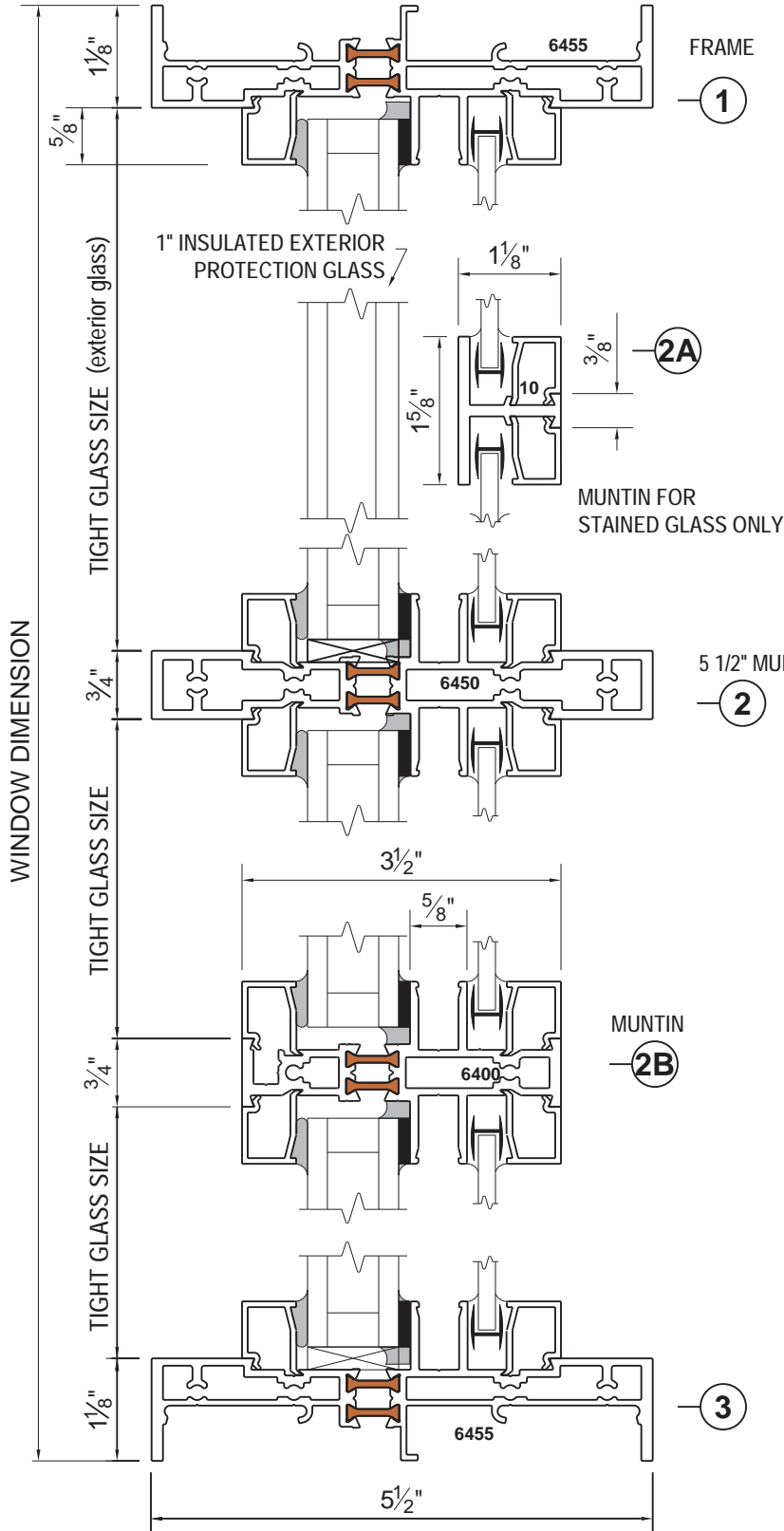
SCALE = HALF SIZE



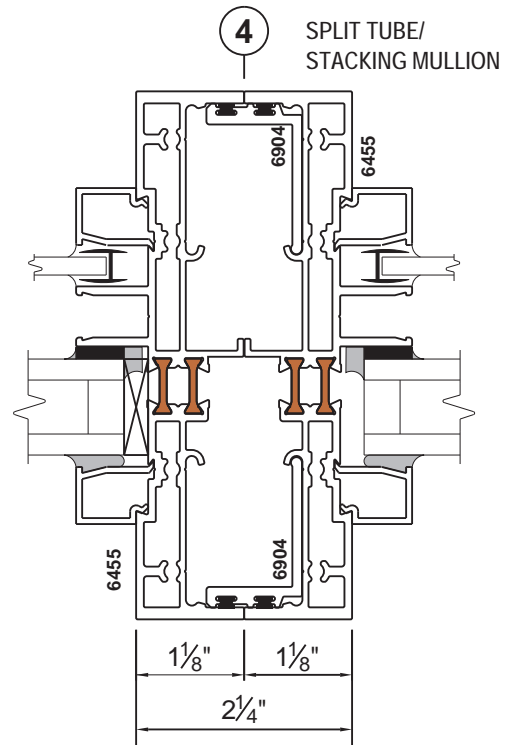
Since 1906

America's finest custom windows

The 6450 Series is 5 1/2" deep and is used for large windows or for design variation. The 6450 Series lines up with, and is interchangeable with the 6400 and 6440 Series. 6400 Series ventilators can easily be incorporated into the 6450 Series. All sections can be used horizontally or vertically.



Typical Elevation



SCALE = HALF SIZE



6400/6440/6450 SERIES GUIDE SPECIFICATIONS

Fixed, Projected and Casement

SECTION 08 51 13 (08520) ALUMINUM WINDOWS

(Text in parentheses and italics are notes to spec writer and are not to be included in specification.)

Part 1 GENERAL

1.01 Work Included

- A. Furnish and install aluminum architectural windows complete with all necessary hardware and related components as shown on drawings and specified in this section.
- B. Glass and Glazing
 - 1. Refer to Section 08 81 00 – Glass and Glazing (08800) for glazing of window units.

1.02 Related Work

- A. Section 07 92 00 – Joint Sealants (09715)
- B. Section 08 32 00 – Sliding Glass Doors (08314)
- C. Section 08 41 00 – Entrances and Storefronts (08400)
- D. Section 08 42 33 – Balanced Entrance Doors (08480)
- E. Section 08 51 66 – Metal Window Screens (08586)
- F. Section 08 44 00 – Curtain Walls and Glazed Assemblies (08900)
- G. Section 08 44 33 – Sloped Glazing Assemblies (08960)

1.03 References (See AAMA GS-001 and AAMA 101 For Current Applicable Listings)

- A. AAMA (American Architectural Manufacturers Association):
- B. ANSI (American National Standards Institute):
- C. ASTM (American Society for Testing and Materials):
- D. CPSC (Consumer Product Safety Commission):
- E. FGMA (Flat Glass Marketing Association):
- F. GSA (General Services Administration):

1.04 Items Installed But Not Furnished

(Enter description, e.g., louver supplied by others to be installed in new window)

1.05 Items Furnished But Not Installed

(Enter description, e.g., extra sash sets to be supplied and stored for the future)

1.06 Quality Assurance

- A. Test reports from an independent certified laboratory shall be available upon request.

1.07 Submittals

- A. The window manufacturer shall submit shop drawings, finish samples, test reports, warranties and maintenance manuals per the requirements of architect.

1.08 Delivery, Storage and Handling

- A. Store and handle windows and other components in strict compliance with manufacturer's instructions.
- B. Protect units against damage from the elements, construction activities and other hazards before, during, and after installation.

1.09 Warranties

- A. Submit written warranties from window manufacturer for the following:
 - 1. Windows: Windows furnished are certified as fully warranted against any defects in material or workmanship under normal use and service for a period of one (2) years from date of fabrication.
 - 2. Finish: The pigmented organic finishes on windows and component parts (such as panning, trim, mullions, and the like) are certified as complying fully with the requirements of the AAMA 260X



specification and fully warranted against chipping, peeling, cracking or blistering for a period of five (5) years from date of installation.

Part 2 PRODUCTS

2.01 Manufacturers

A. All windows shall be Series No. (*Architect to select either or any combination*)

6400 3 1/2" deep

6440 4 1/2" deep

6450 5 1/2" deep

thermally broken triple glazed church window designed to receive (*Architect to select either or any combination*)

1. 1" insulated protection glass on the exterior and art glass on the interior (Standard)

2. 1/4" monolithic protection glass on the exterior and art glass on the interior

3. 1/4" monolithic protection glass on the exterior and faceted glass on the interior

4. 1" insulated protection glass on the exterior and faceted glass on the interior (*6440 and 6450 Series only*)

as manufactured by J. Sussman, Inc. of 109-10 180 St., Jamaica NY 11433.

B. Other manufacturers desiring approval shall:

1. Furnish a sample window and valid test reports indicating full compliance with all performance requirements of this specification at least 10 days prior to bid date.

2. Have been engaged in the fabrication of aluminum windows for ten years and this type of window for 5 years and shall submit for review a list of similar completed projects.

3. Approval of "equal" products shall be in the form of a written addendum. Substitute products not pre-approved by the Architect via addenda will not be considered.

4 Base bid will be J. Sussman, Inc.

2.02 Materials

A. Extruded aluminum shall be 6063-T5 alloy and temper with a minimum ultimate tensile strength of 22,000 psi. Comply with ASTM B 221

B. Thermal barriers shall consist of two fiberglass reinforced 6/6 polyamide nylon strips mechanically crimped in knurled raceways in the exterior and interior extrusions. Poured and debridged urethane thermal barriers will not be permitted.

C Fasteners shall be aluminum, stainless steel or other materials warranted by the manufacturer to be non-corrosive and compatible with aluminum window members, trim, hardware, anchors and other components of the window units.

2.03 Fabrication

A. General

1. All main sections shall have a minimum depth of 3 1/2" with wall thicknesses ranging from .094 to .125. (*For the 6440 Series add the following: Frame and required muntins shall be 4 1/2" in depth.*) (*For the 6450 Series add the following: Frame and required muntins shall be 5 1/2" in depth.*)

2. Glazing rebates shall not be less than 5/8" in height.

3. Interior art glass muntins shall be 1 1/8" deep with 1/8" walls.

4. The airspace between the art and protection glass shall be a minimum of 5/8"

5. The extruded window members shall form a channel separating the glass which will also act as a condensation gutter.

6. This channel shall be an integral part of the aluminum extrusion. An add on piece will not be accepted.

7. Either glass shall be able to be removed or installed without disturbing the glass on the opposite side.

8. All main sections shall utilize a thermal barrier to separate the exterior and interior metal surfaces

9. Thermal barriers shall be a minimum 5/16" and shall align at all frame and sash corners. .

10. No hardware or fasteners of any kind shall bridge or penetrate the thermal barrier.

11. All muntins and meeting rails shall be double tubular.

12. All joints shall be cut to a hairline fit and be either fully sigma arc welded or shall be heavy angle reinforced, cold welded with epoxy adhesive and hydraulically crimped or double fastened with stainless steel fasteners.

13. All joints shall be factory sealed.

- B. Ventilators
 - 1. Ventilators shall be project-in, project-out, in-swing casement, out-swing casement or combinations thereof as shown on the plans.
 - 2. All sash extrusions shall be double tubular.
 - 3. Each corner shall be mitered, heavy angle reinforced, cold welded epoxy adhesive and hydraulically crimped.
 - 4. Ventilators and frames must be on the same plane and present a flush interior and exterior surface. Overlap or extensions of ventilators beyond the frame will not be acceptable.
 - 5. Projected ventilators shall operate in two specially designed wear resistant weatherproof nylon glides independent of the hinge to insure both maximum alignment and weather tightness in the closed position.
 - 6. The void between the ventilator sash and frame shall be pressure equalized to outside conditions.
- C. Glazing Beads
 - 1. Glazing beads shall be extruded from 6063-T5 alloy and be not less than .050 thick.
 - 2. The glazing beads will be snap in type to securely interlock into the extruded window members without extending underneath the glass.
 - 3. They shall be factory fitted and attached.
 - 4. Glazing beads shall also be secured with stainless steel fasteners where required.
- D. Weatherstripping
 - 1. Each sash shall have 3 continuous rows of tested Schlegel Q-Lon weatherstripping installed in specially designed dovetail grooves.
 - 2. Weatherstripping shall have a rigid backing that will resist pullout. A single durometer vinyl or rubber weatherstripping will not be accepted.
- E. Screens (*Optional*)
 - 1. Insect screens shall be constructed of extruded aluminum tubular frames. Roll formed screen frames will not be accepted.
 - 2. Screens for project in ventilators and in-swing casements shall be removable from the interior.
 - 3. Screens for project-out ventilators and push/pull operated out-swing casements shall be of the hinged wicket type. Screen frames shall be finished to match the windows.
 - 4. Screen cloth shall be 18x16 fiberglass mesh. (*Aluminum mesh optional.*)
 - 5. Screen spline shall be extruded vinyl, removable to permit re-screening.
 - 6. Screen mounting holes in the windows frame shall be factory drilled.

2.04 Hardware

- A. Hardware shall conform to the requirements of the ventilator and shall be factory fitted and attached with stainless steel screws.
- B. Locking handles for projecting ventilators shall be cam type and be solid white bronze with a US25D satin polished finish. (*Custodial locks and pole-operated handles are optional.*)
- C. Projected ventilators shall operate on stainless steel four bar heavy duty concealed friction hinges conforming to AAMA 904.1.
(*Casements, in-swing or out-swing, are not usually recommended for this series. Consult factory*)
- D. Out-Swing Casements shall operate on (*choose one*)
 - 1. (*Standard*) stainless steel four bar heavy duty concealed friction hinges conforming to AAMA 904.1.
 - 2. (*Optional*) 5 knuckle extruded aluminum butt hinges with 1/4" diameter stainless steel pins and nylon bushings and (*choose one*)
 - a. (*Option 1*) Zinc die cast roto operators compatible with aluminum and shall meet ASTM E405.
 - b. (*Option 2*) heavy duty stainless steel friction adjusters.
 - c. (*Option 3*) stainless steel limit opening devices with release key.
- E. In-Swing Casements shall operate on (*choose one*)
 - 1. (*Standard*) stainless steel four bar heavy duty concealed friction hinges conforming to AAMA 904.1.
 - 2. (*Optional*) 5 knuckle extruded aluminum butt hinges with 1/4" diameter stainless steel pins and nylon bushings (*the following are optional with butt hinges*)
 - a. (*Option 1*) and heavy duty stainless steel friction adjusters.



- b. (Option 2) and stainless steel limit opening devices with release key.

2.05 Finish

- A. The finish of the aluminum windows shall be (*Architect to select. Note: this series is available with finishes on the interior and exterior. If "two tone" finishing is desired, specified each side separately.*) (*Standard finishes are considerably less expensive and lead times for windows are much shorter with standard finishes.*)
1. Architectural Class II Anodic (204-R1) AA M12-C22-A31 Thickness to be .4 mil and shall conform to AAMA 611-98.
 - a. Color: Clear Anodized (*Standard*)
 2. Architectural Class I Anodic (215-R1) AA M12-C22-A41 Thickness to be .7 mil and shall conform to AAMA 611-98.
 - a. Color: Clear Anodized (*Optional - Consult factory*)
 3. Architectural Class I Anodic with electrostatically deposited color AA-M12-C22-A44. Thickness to be .7 mil and shall conform to AAMA 611-98.
 - a. Color: Dark Bronze Anodized (*Standard*)
 - b. Color: Black Anodized (*Standard*)
 - c. Color: _____ (*Insert anodized color selected by Architect. Consult factory*)
 4. Baked acrylic enamel organic finish electrostatically applied over pretreated aluminum. Finish shall be a one coat, one bake paint system with a .8 mil minimum overall dry film thickness and shall conform to AAMA 2603.
 - a. Color: Bronze Paint (*Standard*)
 - b. Color: White Paint (*Standard*)
 - c. Color: _____ (*Insert custom paint color selected by Architect. Consult factory*)
 5. High performance organic finish electrostatically applied over pretreated aluminum. Finish shall be based on 50% fluoropolymer resin and be applied as a two coat, two bake paint system with a 1.2 mil minimum thickness and shall conform to AAMA 2604. (*Some colors may require a clear protective topcoat to protect the pigmented coating.*)
 - a. Color: _____ (*Insert custom paint color selected by Architect. Consult factory*)
 6. High performance organic finish electrostatically applied over pretreated aluminum. Finish shall be based on 70% fluoropolymer resin and be applied as a two coat, two bake paint system with a 1.2 mil minimum thickness and shall conform to AAMA 2605. (*Some colors may require a clear protective topcoat to protect the pigmented coating.*)
 - a. Color: _____ (*Insert custom paint color selected by Architect. Consult factory*)

PART 3 EXECUTION

3.01 Inspection

- A. Verify that openings are dimensionally correct and within allowable tolerances.
- B. Openings must be plumb, level, and clean.
- C. Provide a solid anchoring surface that is in accordance with approved shop drawings.

3.02 Installation

- A. Use only skilled craftsmen for work to be done in accordance with the manufacturer's installation instructions and/or approved shop drawings and specifications.
- B. Windows and materials must be set square and level.
- C. Adequately anchor to maintain positions permanently when subjected to normal thermal movement, specified building movement, and specified wind loads.
- D. Adjust Windows for proper operation after installation has been completed.
- E. Furnish and apply sealants to provide a weather tight installation at all joints and intersections and at opening perimeters. Wipe off excess material and leave all exposed surfaces and joints clean and smooth.



3.03 Protection and Cleaning

- A. After completion of window installation, all windows shall be inspected, adjusted, and left in working order.
- B. Windows shall be cleaned to remove mortar, plaster, paint or other contaminants.
- C. After cleaning, all work shall be protected against damage until it is accepted by the General Contractor.
- D. Thereafter, it shall be the responsibility of the General Contractor to maintain protection and provide final cleaning.
- E. Send to Architect, with copy to Owner, written recommendations for maintenance and protection of windows following Substantial Completion of Window Contract.

END OF SECTION

The above specifications are subject to change without notice.