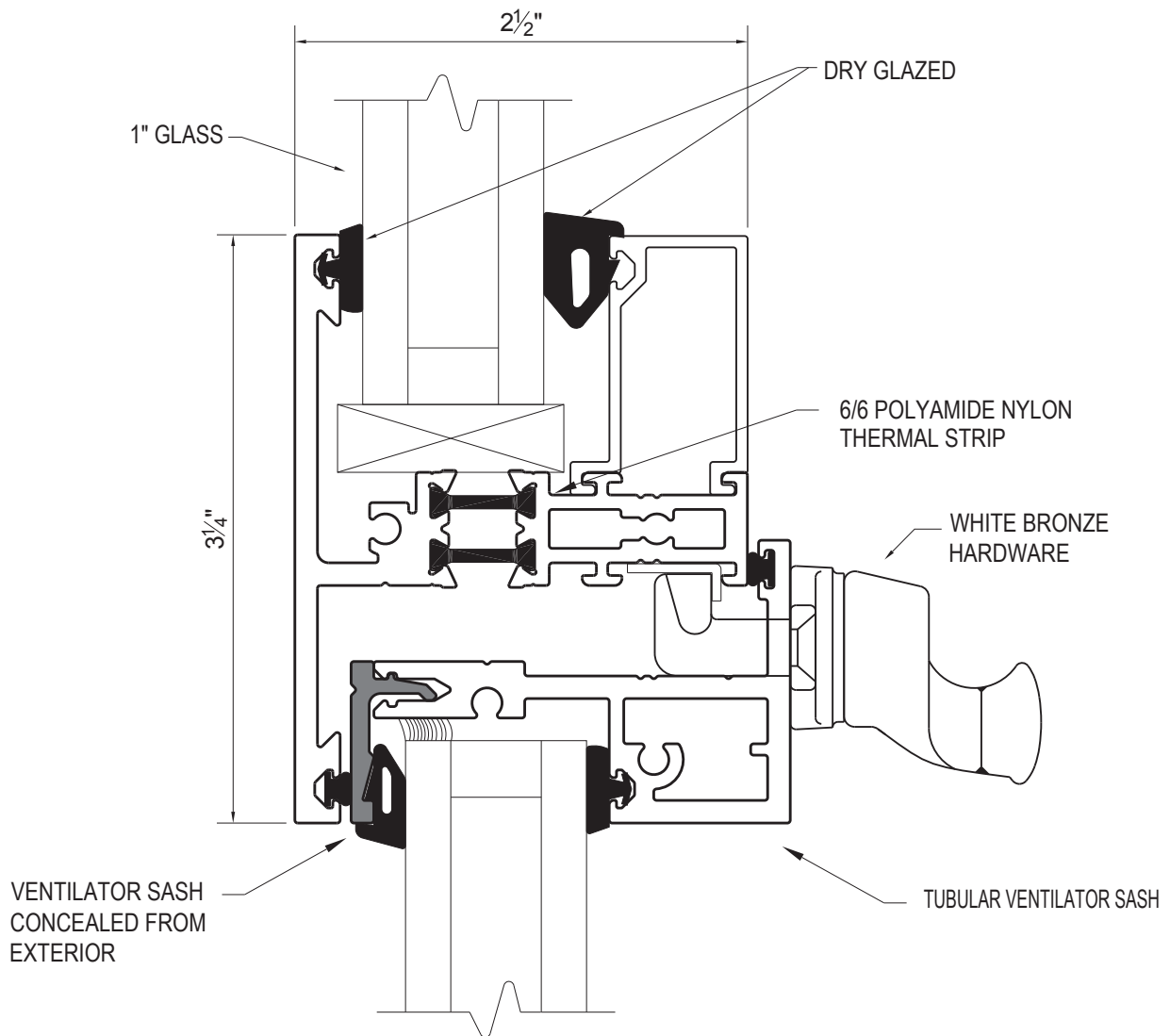




The 4800 Series has equal sitemlines for both vent and fixed lites making the ventilators concealed and indistinguishable from the fixed lites. Thermally broken using Thermal Strip technology© allows different finishes interior and exterior. Available as inswing projected ventilators and casements or fixed lites or combinations of each.



SCALE = FULL SIZE

Features:

- AAMA AP-C65, F-AW65 Performance Class
- Full 2 1/2" deep frame with tubular muntins, meeting rails and ventilator sash. Ventilator sash is angle reinforced. *(Consult factory for full specifications)*
- Narrow and equal site lines at vents and fixed lites. Ventilators are indistinguishable from fixed lites and concealed from the exterior.
- The thermal strip is a specially formulated and constructed extrusion of glass fiber reinforced 6/6 polyamide nylon. Besides being thermally efficient, these high strength strips have the same coefficient of expansion as aluminum so that the structural integrity of the window is intact.