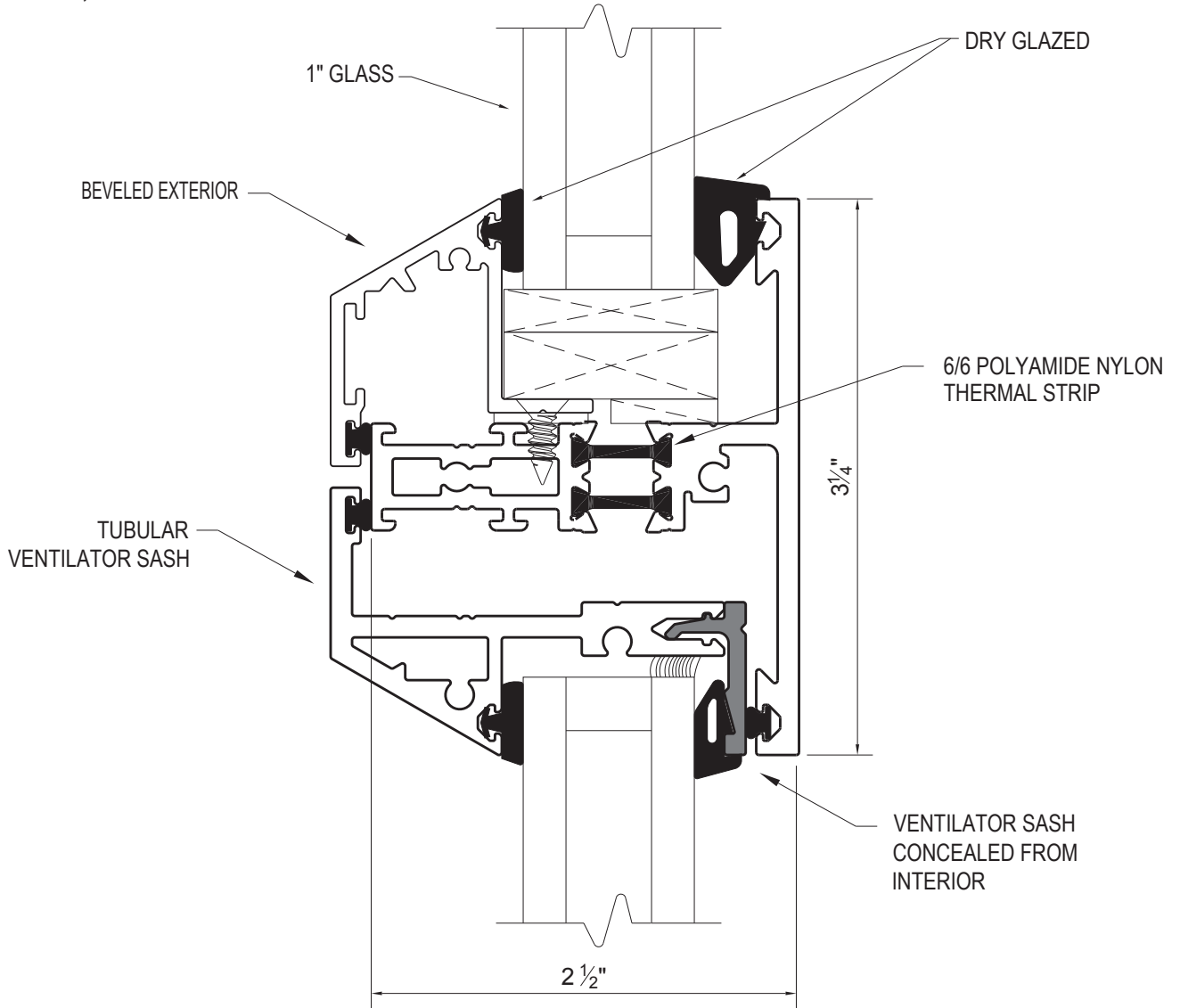




The 4600 series is a historical replication window with a beveled exterior and with narrow and equal site lines at vents and fixed lites. Thermally broken using Thermal Strip technology<sup>®</sup> allows different finishes interior and exterior. Available as project-out vents, outswing casements, fixed lites or combinations of each.



**SCALE = FULL SIZE**

**Features:**

- AAMA AP-C55, F-AW65 Performance Class
- Full 2 1/2" deep frame with tubular muntins, meeting rails and ventilator sash. Ventilator sash is angle reinforced. *(Consult factory for full specifications)*
- Beveled exterior to replicate the appearance of steel putty glazed windows.
- Narrow and equal site lines at vents and fixed lites. Ventilators are indistinguishable from fixed lites and concealed from the exterior.
- The thermal strip is a specially formulated and constructed extrusion of glass fiber reinforced 6/6 polyamide nylon. Besides being thermally efficient, these high strength strips have the same coefficient of expansion as aluminum so that the structural integrity of the window is intact.