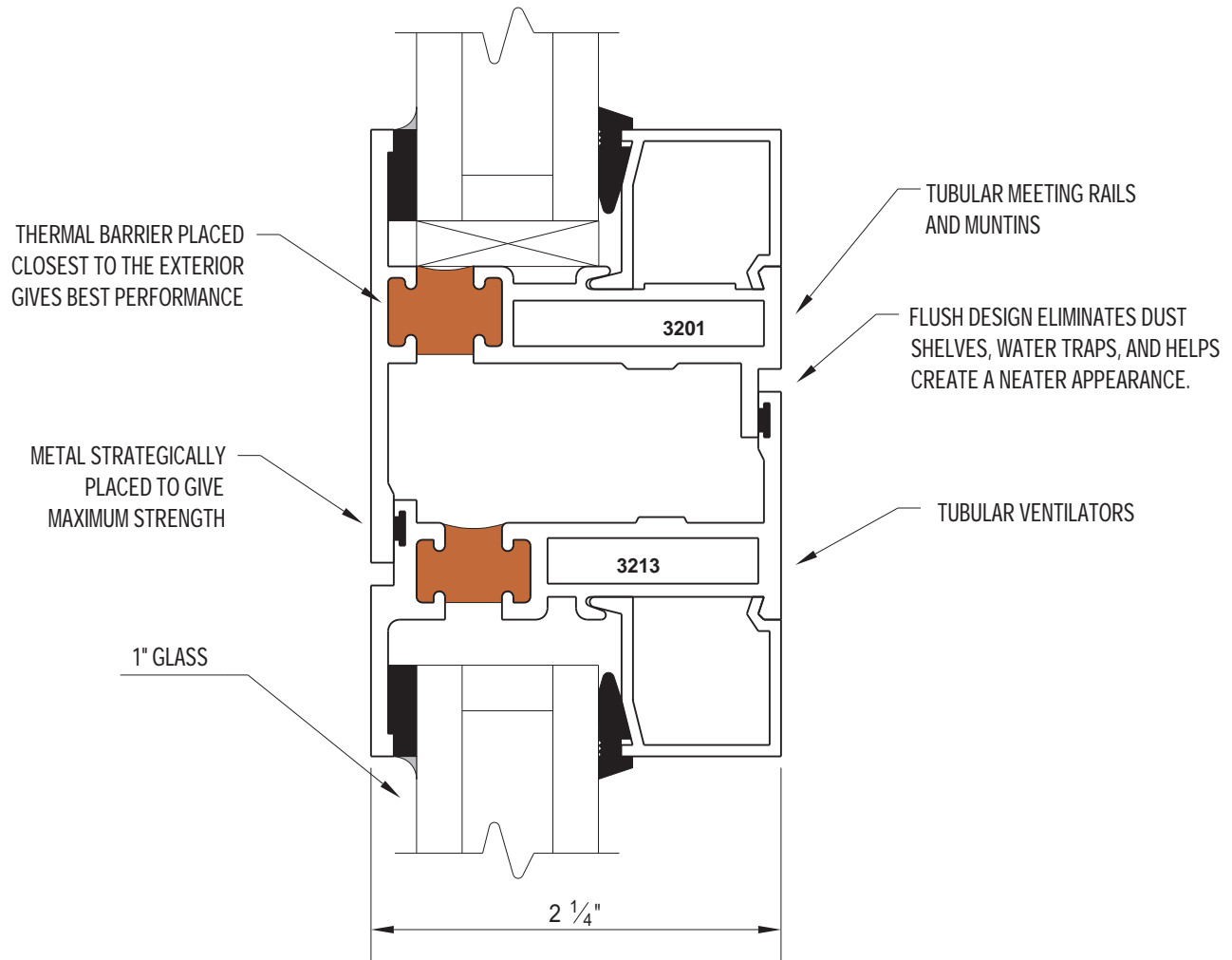




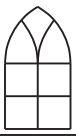
The 3200 series is a lighter weight thermally broken high performance window. This series has been designed with metal strategically placed so that it is heavy enough to meet or exceed all HC performance specifications, yet light enough to make a significant difference in cost.



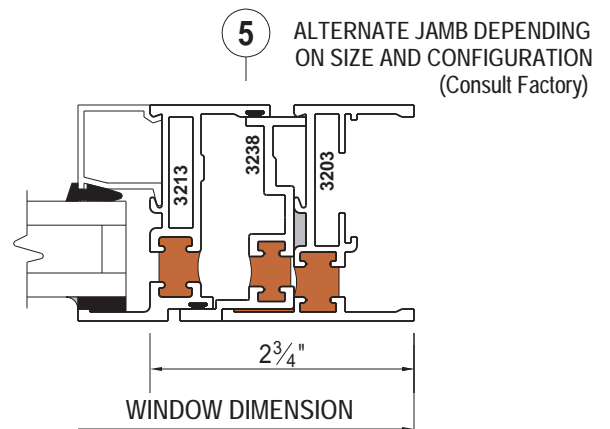
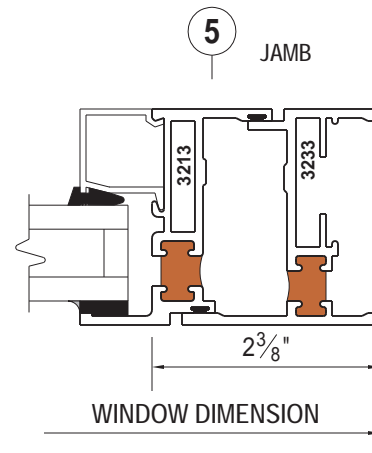
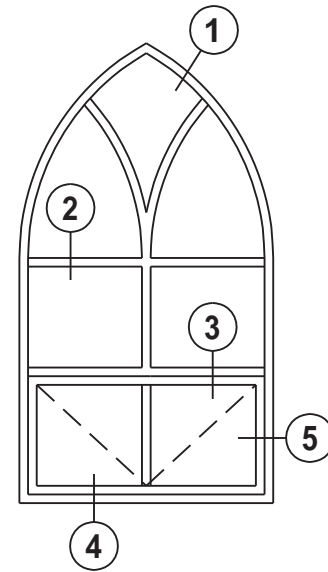
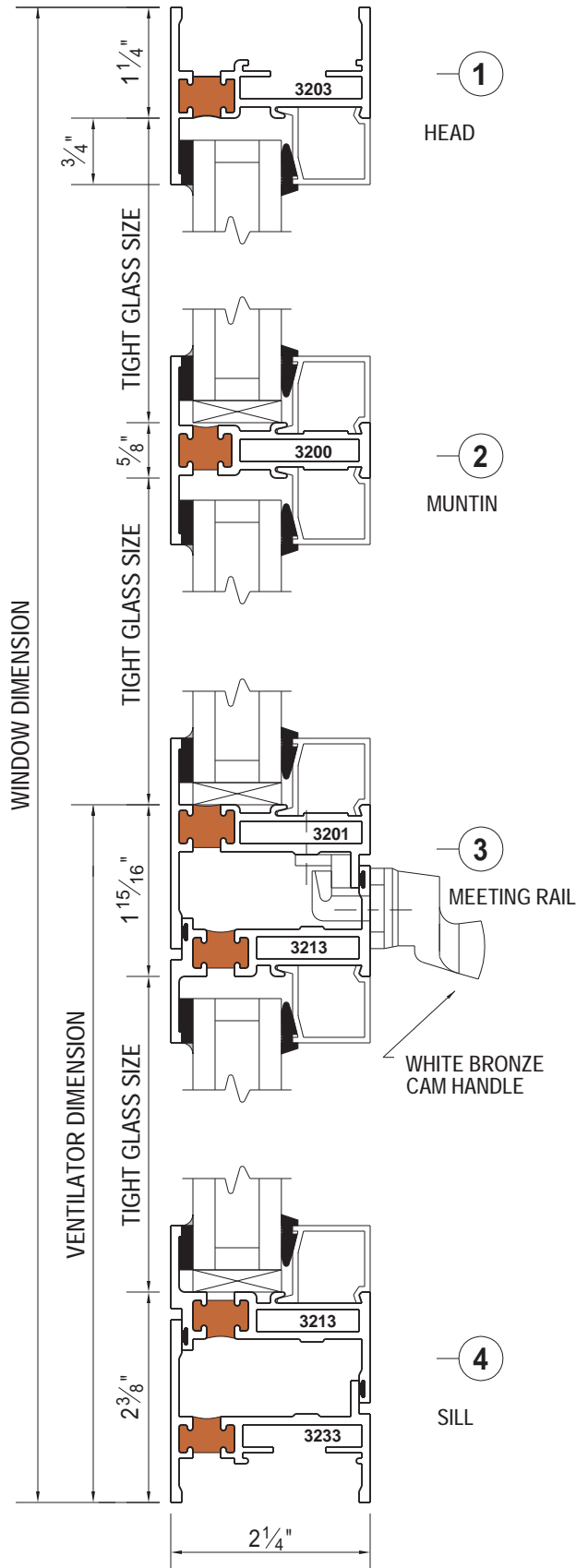
Features:

SCALE = FULL SIZE

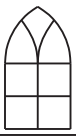
- Full 2 1/4" frame will meet or exceed AAMA HC-65 and GS-001 monumental performance specifications.
- Thermal barrier placed closest to exterior for best performance.
- All muntins, meeting rails and ventilator sashes are tubular.
- Frame corners have tightly fitted hairline joints that are factory sealed.
- Sash corners are accurately mitered, heavy angle reinforced, epoxy welded and hydraulically crimped.
- Each ventilator has two wear resistant nylon glides independent of the hinge to insure maximum alignment and weather tightness.
- The 3200 Series is interchangeable with and lines up with the 3600 Series and the 3640 Series.



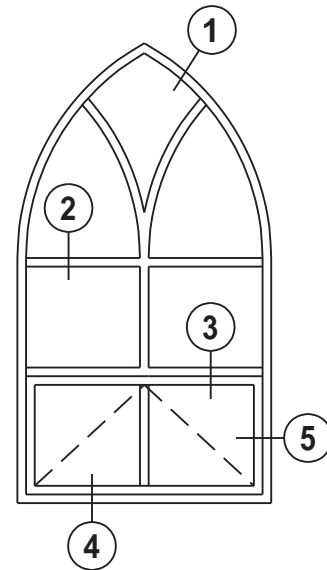
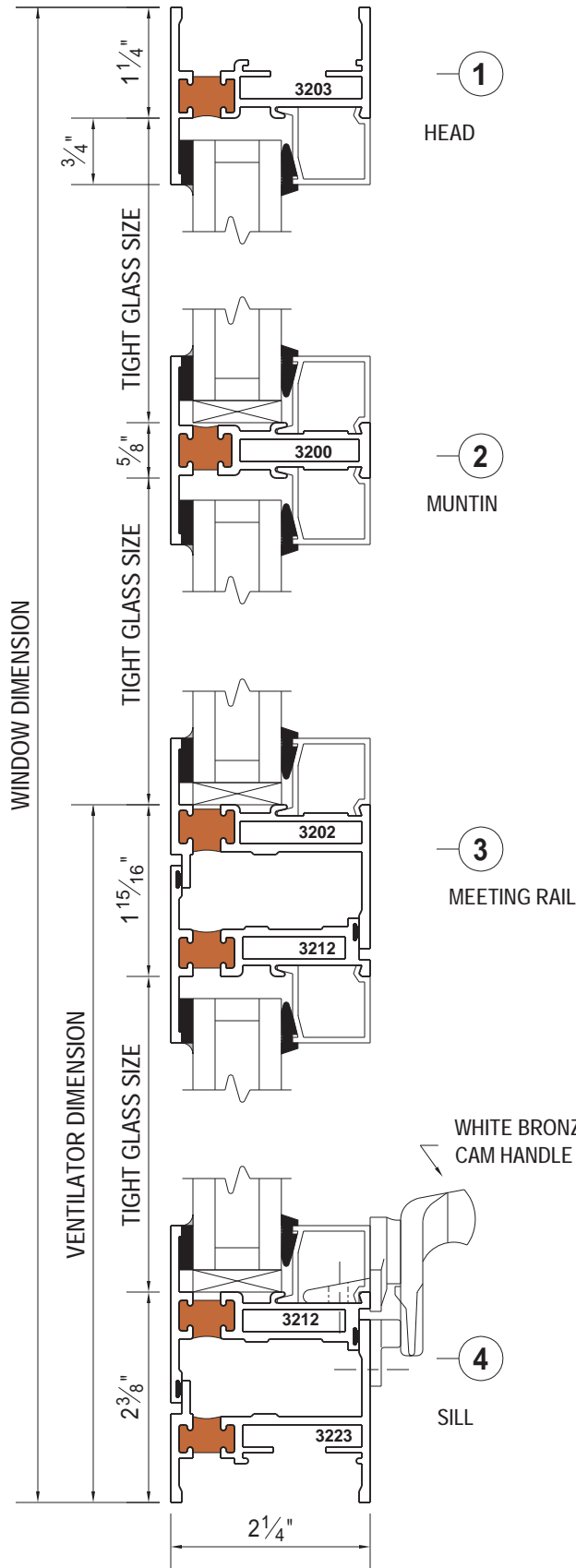
FIXED OVER PROJECT-IN



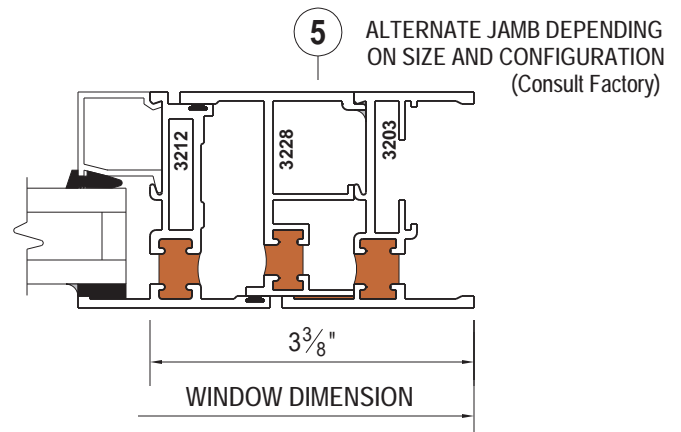
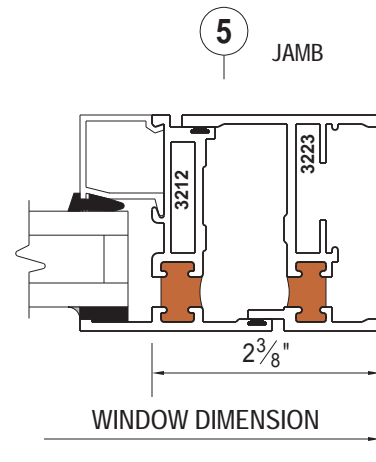
SCALE = HALF SIZE



FIXED OVER PROJECT-OUT



Typical Elevation

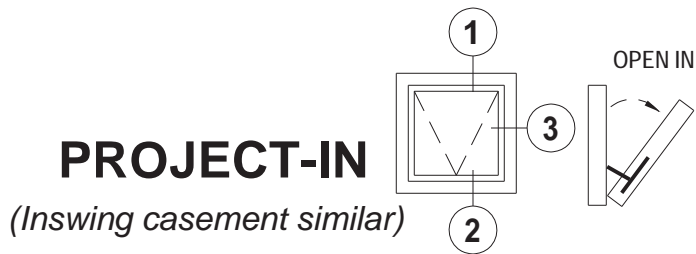


SCALE = HALF SIZE

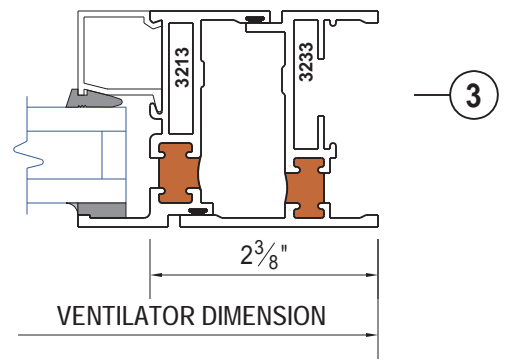
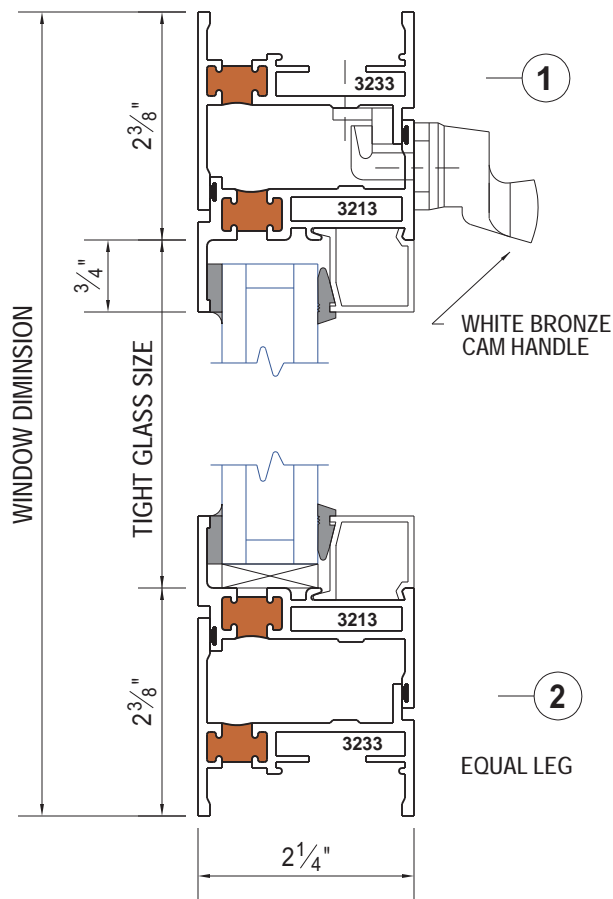


Since 1906

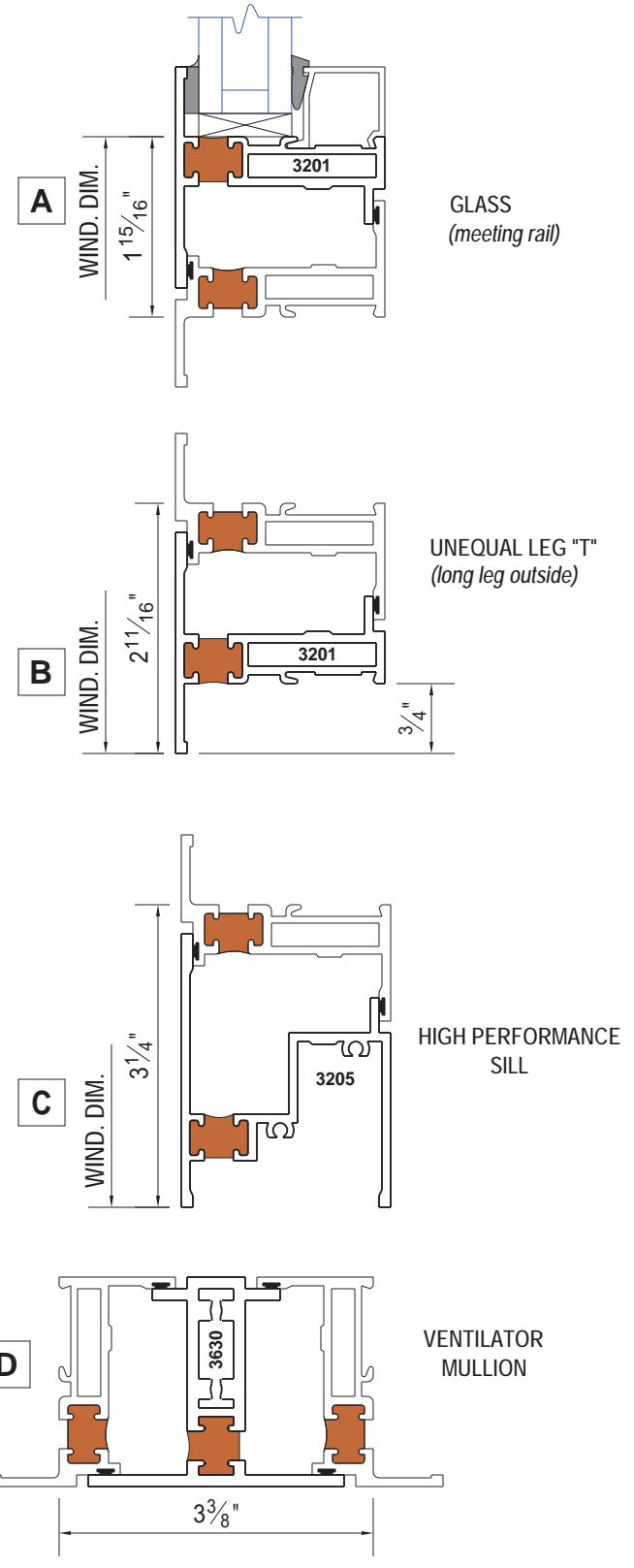
America's finest custom windows



Standard Ventilator *(equal leg frame)*



Alternate project-in ventilator sections that can be used at head, sill or jamb.



SCALE = HALF SIZE

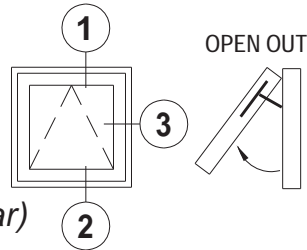


Since 1906

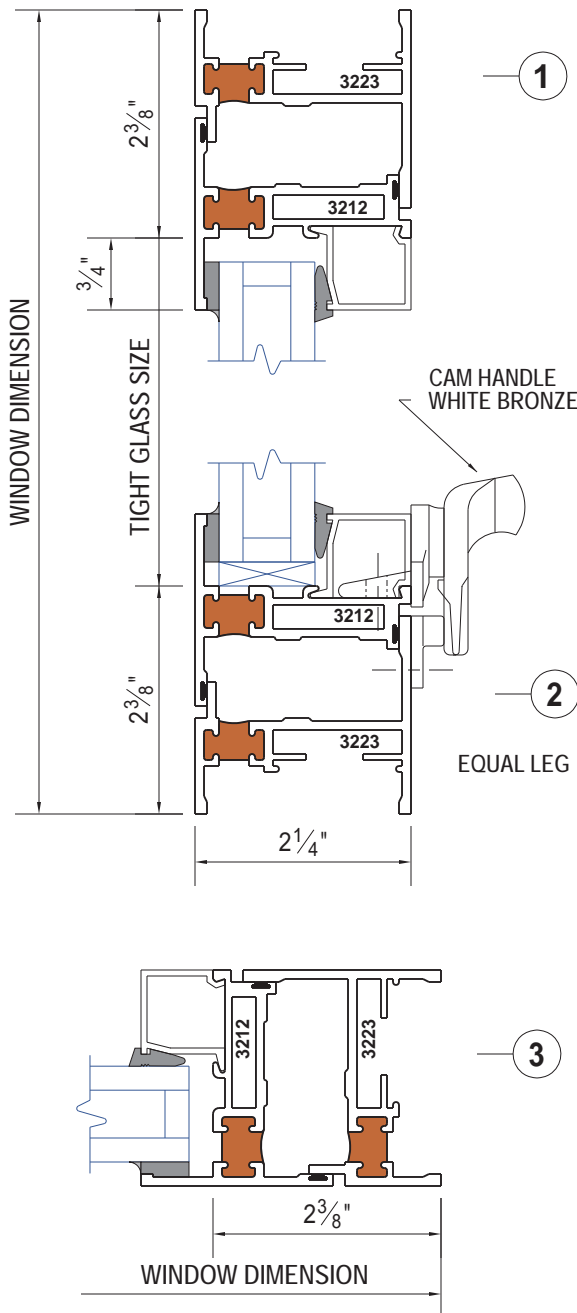
America's finest custom windows

PROJECT-OUT

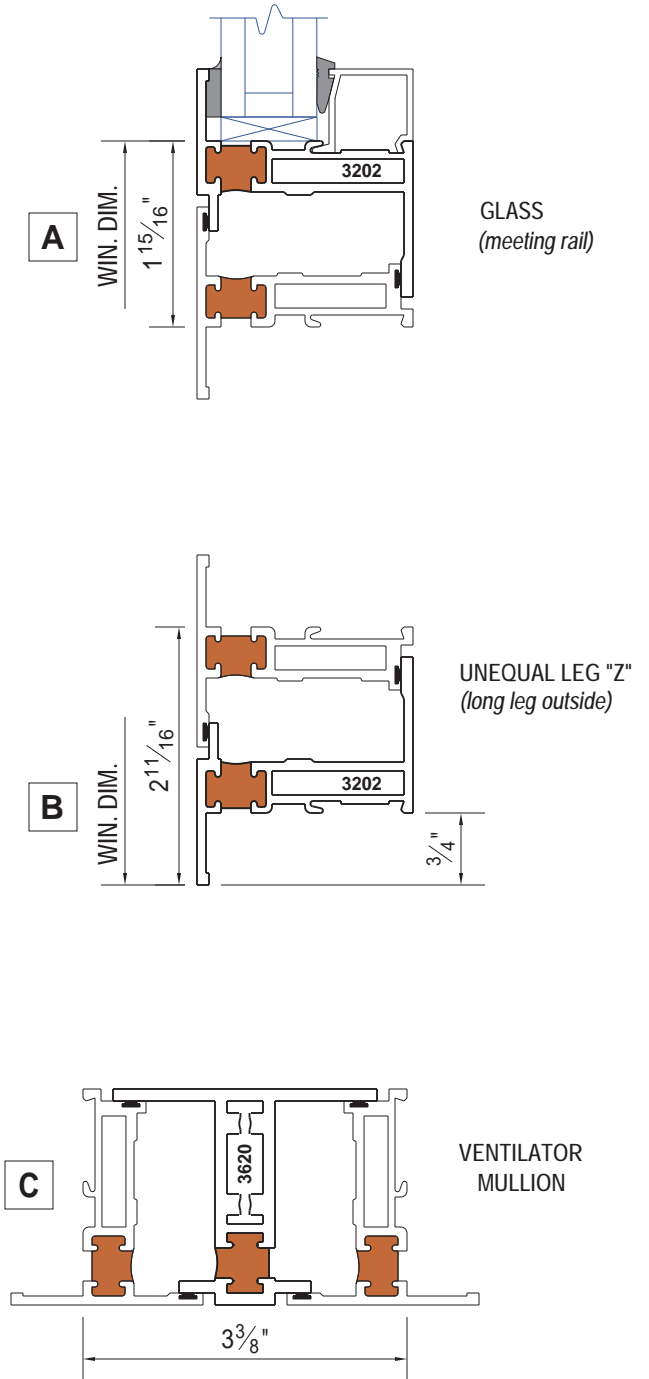
(Outswing casement similar)



Standard Ventilator (equal leg frame)



Alternate project-out ventilator sections that can be used at head, sill or jamb.



SCALE = HALF SIZE



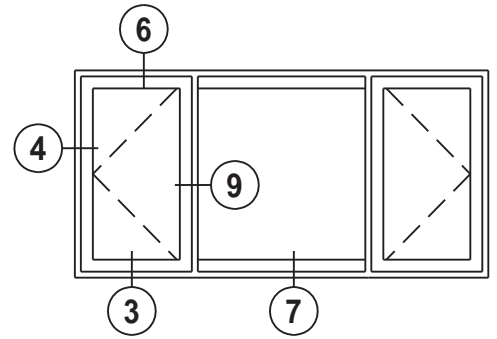
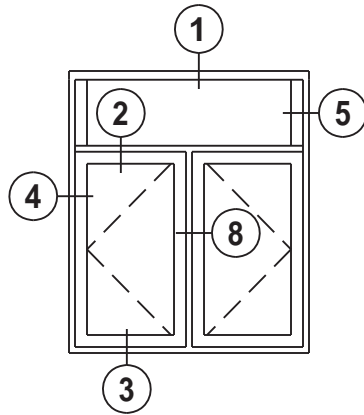
Since 1906

America's finest custom windows

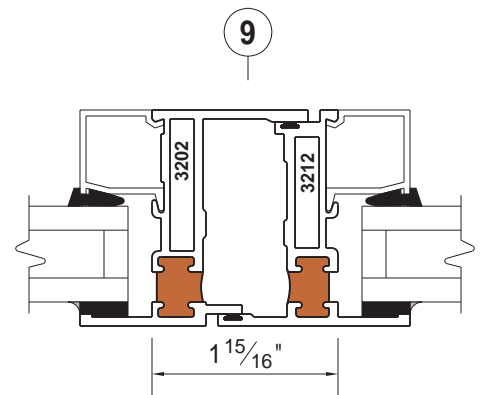
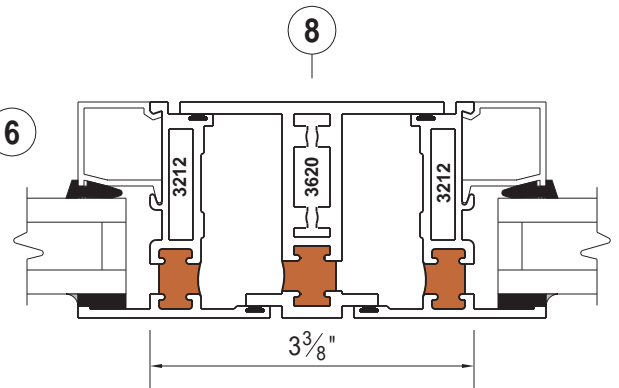
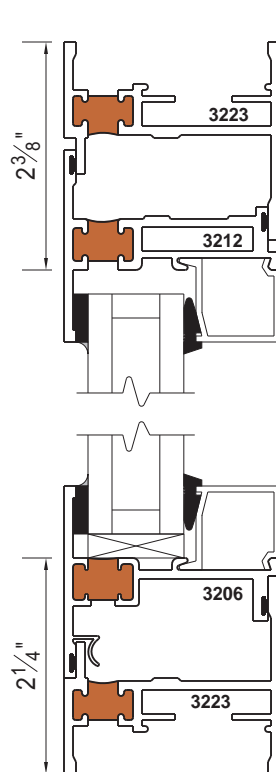
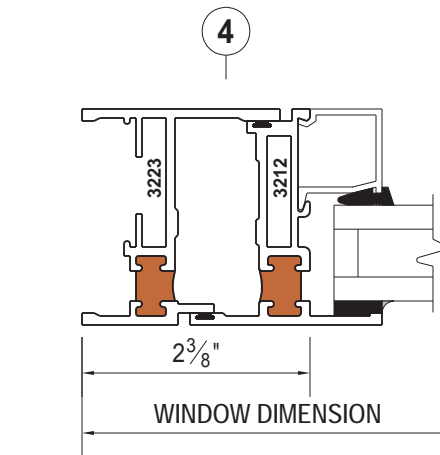
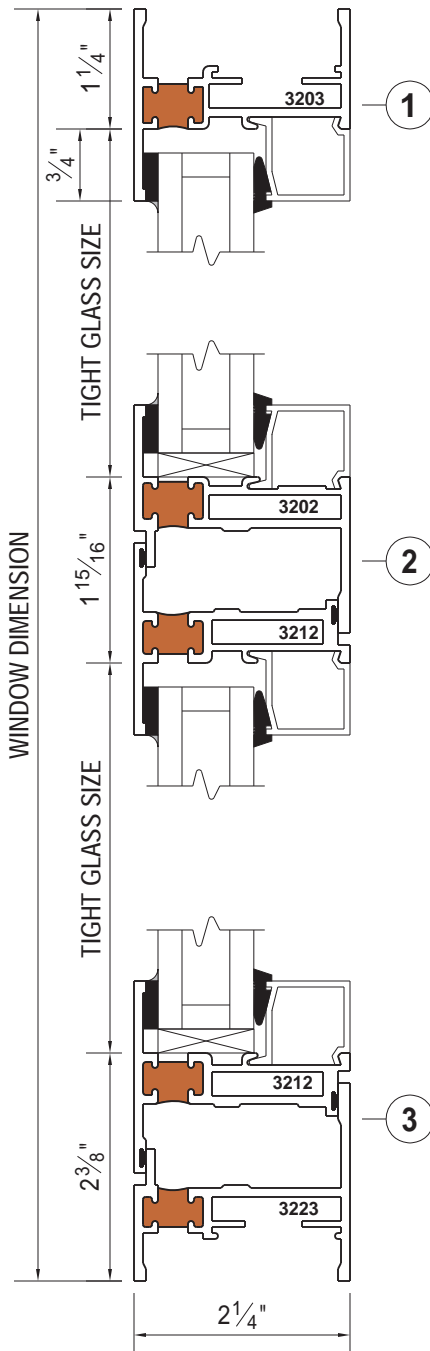
OUTSWING CASEMENT

Hardware not shown. Push-pull operation with cam handles and stainless steel concealed 4 bar hinges are standard. Crank operation with rotos and 5 knuckle extruded aluminum butt hinges are optional.

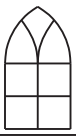
(equal leg frame)



Typical Elevations



SCALE = HALF SIZE



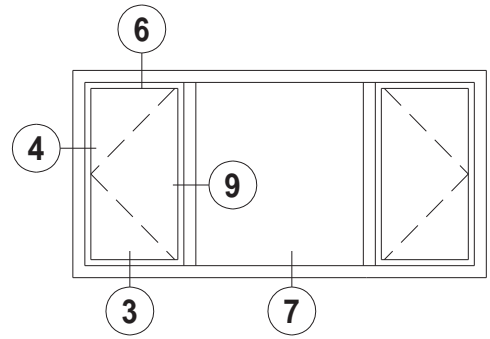
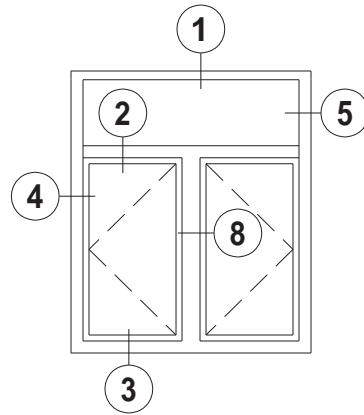
Since 1906

America's finest custom windows

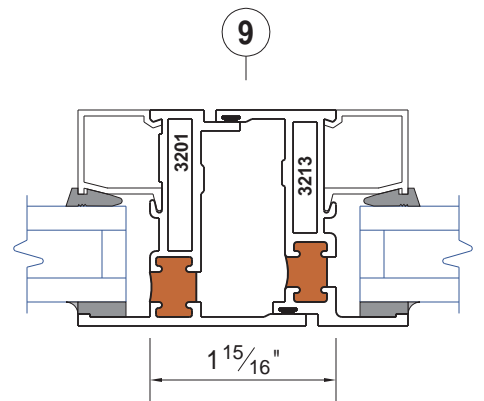
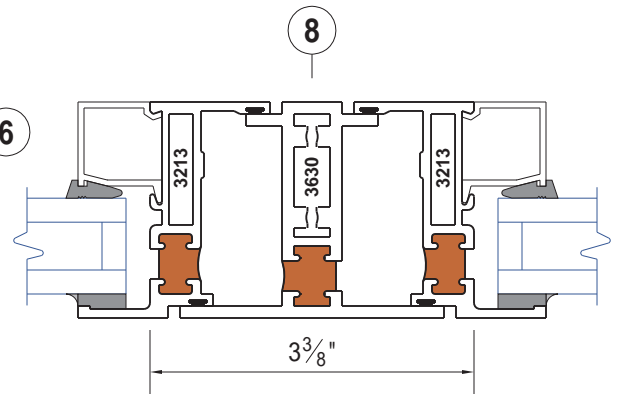
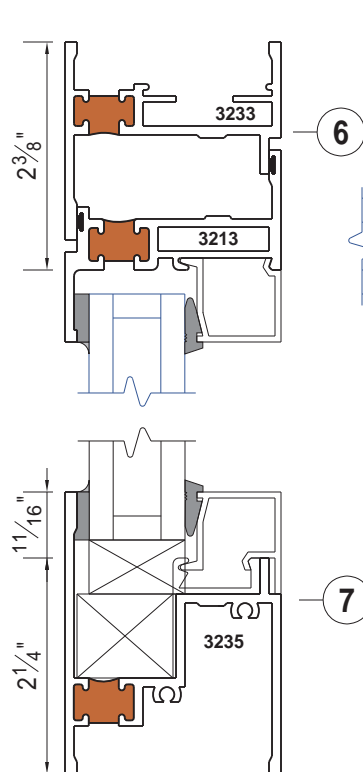
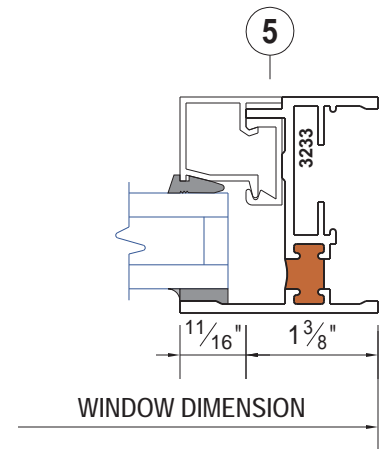
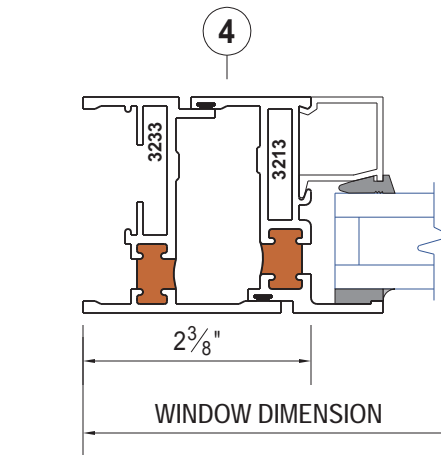
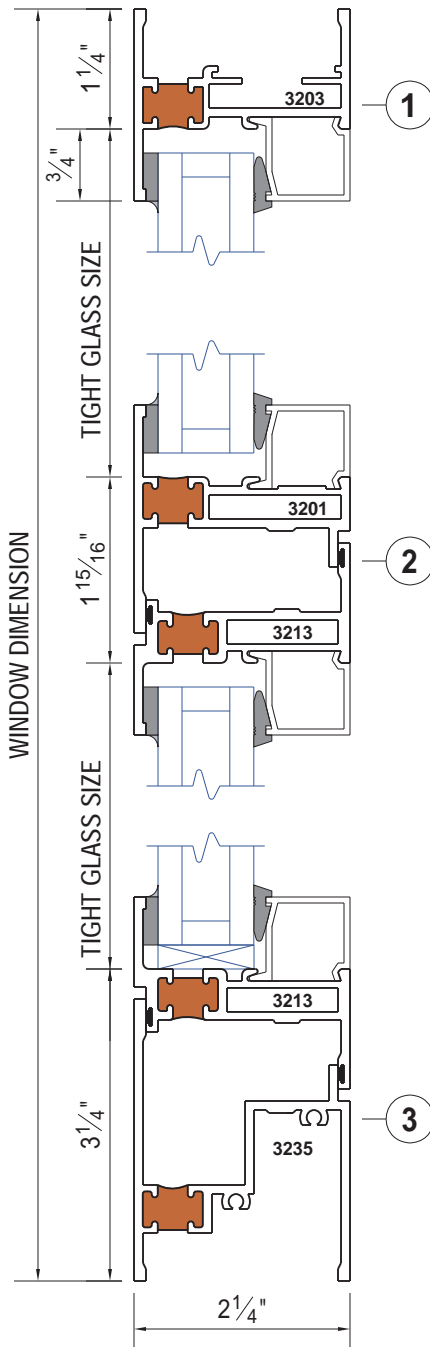
IN SWING CASEMENT

Hardware not shown. Push-pull operation with cam handles and stainless steel 4 bar hinges are standard. 5 knuckle extruded aluminum butt hinges are optional.

(equal leg frame)



Typical Elevations



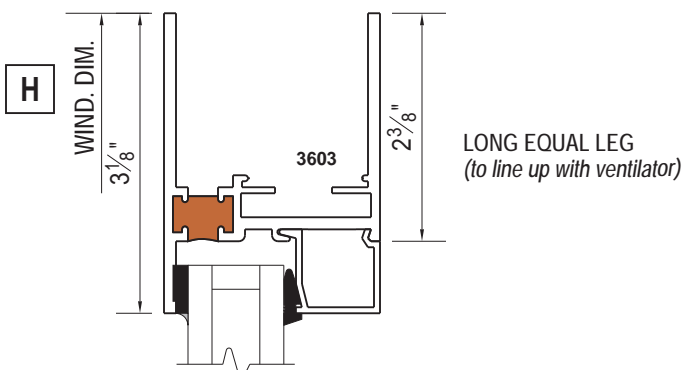
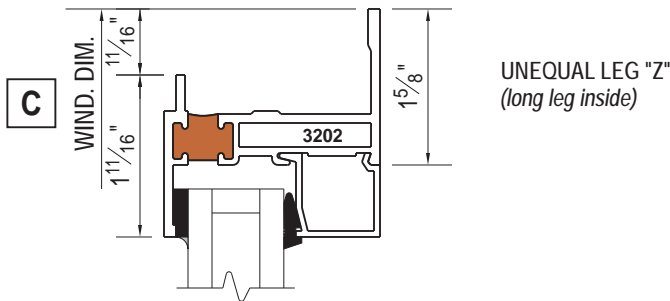
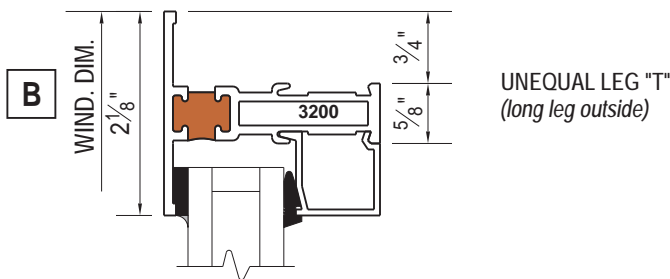
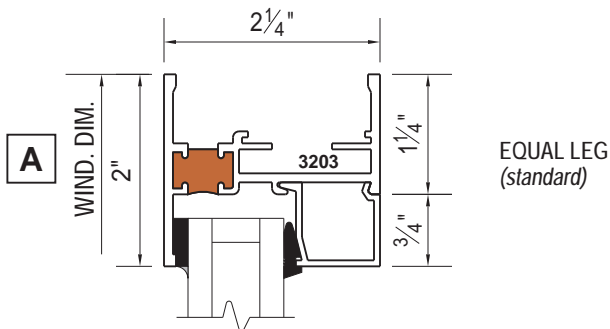
SCALE = HALF SIZE



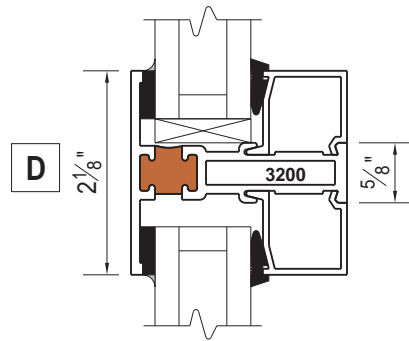
Since 1906

America's finest custom windows

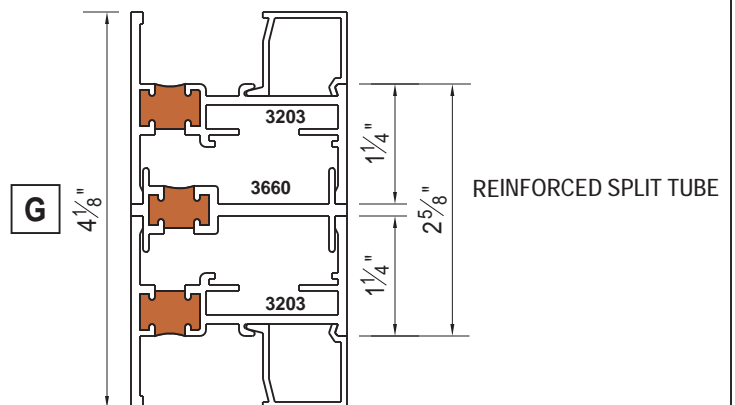
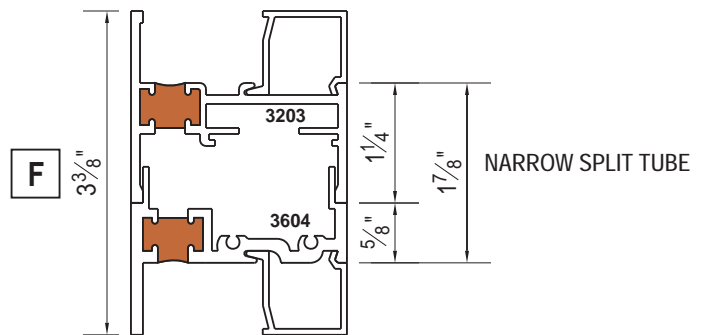
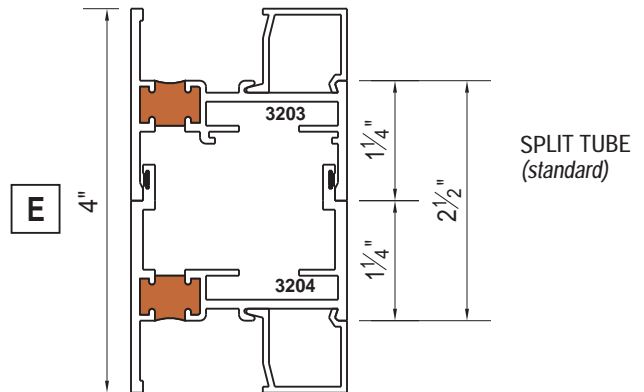
Fixed Perimeter Frame Sections



Muntin



Vertical and Horizontal Stacking (glass not shown)

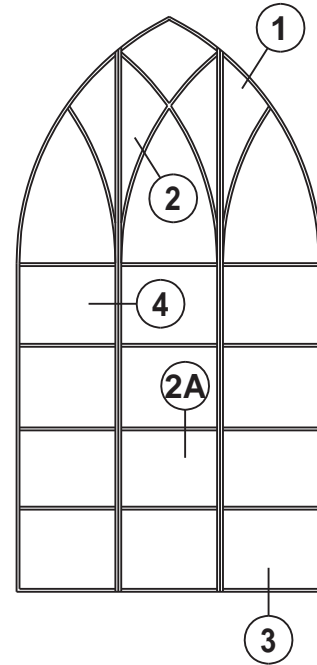
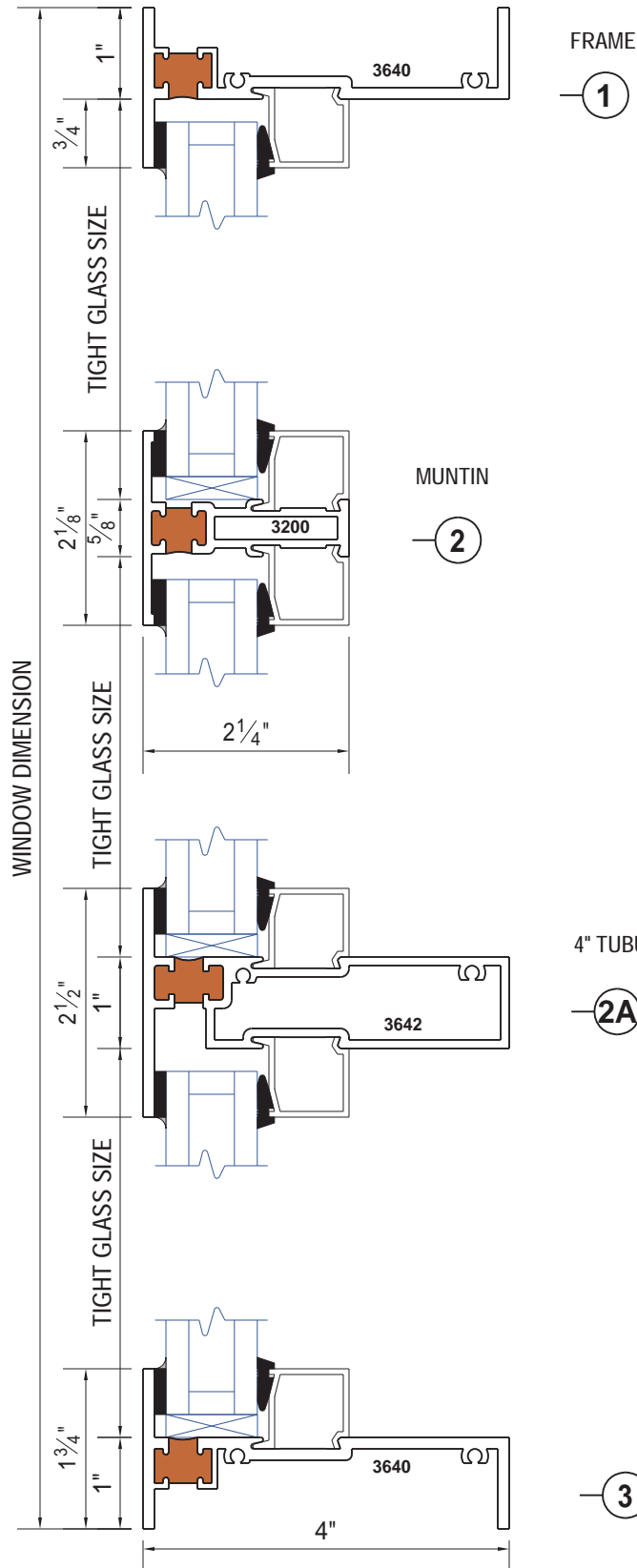


Note: The 3200 Series is interchangeable with the 3600 Series.

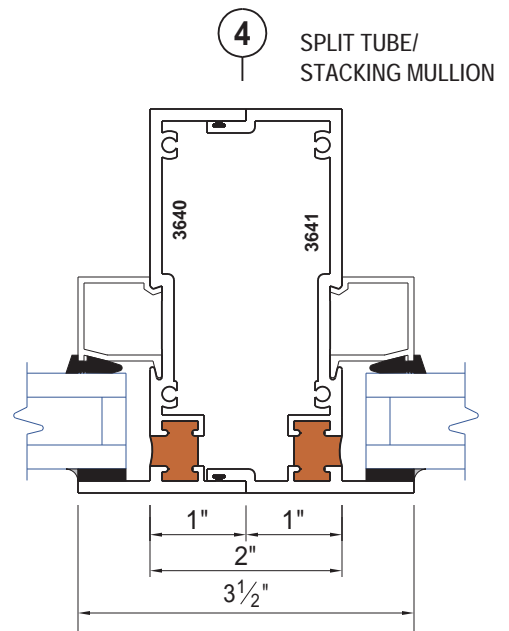
SCALE = HALF SIZE



The 3640 Series is 4" deep and is used for large windows or for design variation. The 3640 Series lines up with, and is interchangeable with the 3600 and 3200 Series. 3200 and 3600 Series ventilators can easily be incorporated into the 3640 Series. All sections can be used horizontally or vertically.



Typical Elevation

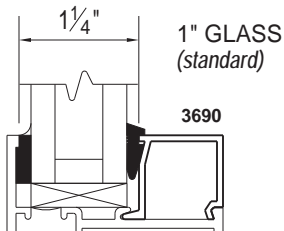


SCALE = HALF SIZE

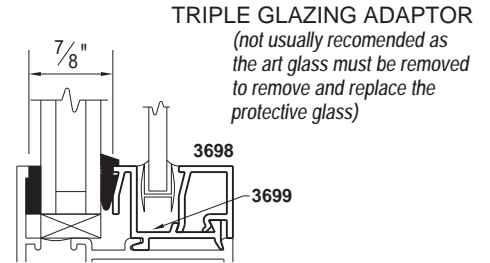


Glazing Options

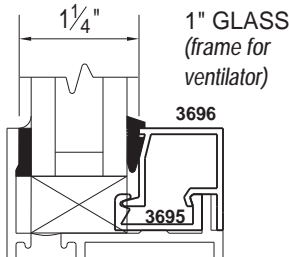
A



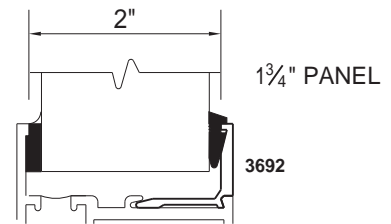
D



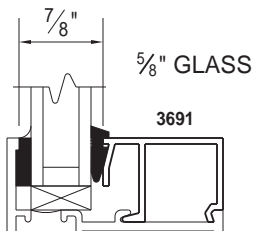
B



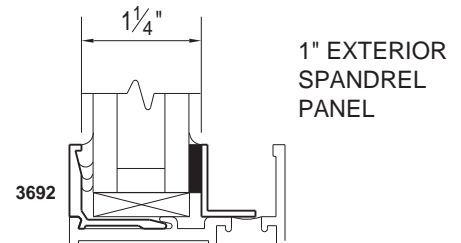
E



C



F



Note: 1. With different glazing gaskets and tapes, many more variations on glass thicknesses are available
 2. The 3200 Series is interchangeable with the 3600 Series.

SCALE = HALF SIZE



3200/3640 SERIES SPECIFICATIONS

(Text in parentheses and italics are notes to spec writer and are not to be included in specification.)

General

Windows shall be Series No. *(Architect to select)*
3200 2 1/4" deep
3640 4" deep
thermally broken monumental custom window as manufactured by J. Sussman, Inc. of 109-10 180 St., Jamaica NY 11433. They shall be completely furnished with all necessary hardware and related components as shown on drawings and specified in this section for a proper installation.

Quality Assurance

Other manufacturers desiring approval shall furnish a sample window and valid test reports indicating full compliance with all performance requirements of this specification at least 10 days prior to bid date. Other manufacturers shall have been engaged in the fabrication of aluminum windows for ten years and this type of window for 5 years and shall submit for review a list of similar completed projects. Approval of "equal" products shall be in the form of a written addendum.

Materials

Extruded aluminum shall be 6063-T5 alloy and temper. Thermal barriers shall consist of a poured-in-place two part chemically curing structural polyurethane.

Construction

All main sections shall have a minimum depth of 2 1/4" with a nominal wall thickness of .125 to .080. *(For the 3640 Series add the following: Frame and required muntins shall be 4" in depth.)* Glazing rebates shall not be less than 3/4" in height. Window members must incorporate the glazing legs as an integral part of the frame sash and muntin bar extrusion design. Mechanically applied glazing legs will not be accepted. All main sections shall utilize a thermal barrier to separate the exterior and interior metal surfaces. Thermal barriers shall be positioned at the extreme exterior of every section and align at all frame and sash corners. No hardware or fasteners of any kind shall bridge or penetrate the thermal barrier. All muntins and meeting rails shall be tubular. All joints shall be cut to a hairline fit and be either fully sigma arc welded or shall be heavy angle reinforced, cold welded and hydraulically crimped. All joints shall be factory sealed.

Ventilators

Ventilators shall be project-in, project-out, inswing casement, outswing casement or combinations thereof as shown on plans. All sash extrusions shall be tubular. Each corner shall be mitered, heavy angle reinforced, cold welded and hydraulically crimped. Ventilators and frames

must be on the same plane and present a flush interior and exterior surface. Overlap or extensions of ventilators beyond the frame will not be acceptable. Projected ventilators shall operate in two specially designed wear resistant weatherproof nylon glides independent of the hinge to insure both maximum alignment and weather tightness in the closed position. Ventilators shall be pressure equalized to outside conditions.

Performance

Windows shall conform to all ANSI/AAMA 101-88 HC65 and GS-001 requirements. In addition, the following specific performance requirements must be met.
Air Infiltration: When tested in accordance with ASTM E 283-83, air infiltration shall not exceed 0.013 cfm/ft under a static pressure drop of 6.24 psf.
Water resistance: When tested in accordance with ASTM E 331-83 and ASTM E 547-83 there shall be no water leakage when the window is subjected to a pressure drop of 10 psf (15.75 psf with high performance sill HC105)
Uniform Structural Load Test: When tested in accordance with ASTM E 330-79 with a static pressure difference of 97.5 psf exterior (positive) and 97.5 psf interior (negative) there shall be no glass breakage, permanent damage to fasteners, hardware parts or actuating mechanisms which would cause the window to be inoperable. Permanent deformation of any frame or vent member shall not exceed .2% of its span. (HC65)
Condensation Resistance Factor (CRF): When tested in accordance with AAMA 1502.7-81, the condensation resistance factor (CRF) shall be no less than 55.
Thermal Transmittance (U Value): When tested in accordance with AAMA 1503.1-81, the thermal transmittance due to conduction (Uc) shall not exceed .58 BTU/hr/sf/°F
Test reports from an independent certified laboratory shall be available upon request.

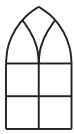
Glazing

Glazing bead shall be extruded from 6063-T5 alloy and be not less than .050 thick. The glazing beads will be snap in type to securely interlock into the extruded window members without extending underneath the glass. They shall be factory fitted and attached. Glazing beads shall also be screwed on where required.

Hardware

Hardware shall conform to the requirements of the ventilator and shall be factory fitted and attached with stainless steel screws. Locking handles shall be cam type and be solid white bronze with a US25D satin polished finish. *(Custodial locks and pole-operated handles are optional.)*
Projected ventilators shall operate on stainless steel four bar heavy duty concealed friction hinges conforming to AAMA 904.1.

Specifications are subject to change without notice.



Outswing Casements shall operate on *(choose one)*
(Standard) stainless steel four bar heavy duty concealed friction hinges conforming to AAMA 904.1.
(Optional) 5 knuckle extruded aluminum butt hinges with 1/4" diameter stainless steel pins and nylon bushings and *(choose one)*
(Option 1) roto operators that shall be compatible with aluminum and shall meet ASTM E405.
(Option 2) heavy duty stainless steel friction adjusters.
(Option 3) stainless steel limit opening devices with release key.

Inswing Casements shall operate on *(choose one)*
(Standard) stainless steel four bar heavy duty concealed friction hinges conforming to AAMA 904.1.
(Optional) 5 knuckle extruded aluminum butt hinges with 1/4" diameter stainless steel pins and nylon bushings *(the following are optional with butt hinges)*
(Option 1) and heavy duty stainless steel friction adjusters.
(Option 2) and stainless steel limit opening devices with release key.

Weatherstripping

Each sash shall have 2 continuous rows of tested Schlegel Q-Lon weatherstripping installed in specially designed dovetail grooves. Weatherstripping shall have a rigid backing that will resist pullout. A single durometer weatherstripping will not be accepted.

Screens (Optional)

Insect screens shall be constructed of extruded aluminum tubular frames. Roll formed screen frames will not be accepted. Screens for project-out ventilators and push/pull operated outswing casements shall be of the hinged wicket type. Screen cloth shall be 18x16 fiberglass mesh. *(Aluminum mesh optional.)* Screen frames shall be finished to match the windows. Splines shall be extruded vinyl, removable to permit rescreening.

Finish

The finish of the aluminum windows shall be *(Architect to select)* *(Standard finishes are considerably less expensive and lead times for windows are much shorter with standard finishes.)*

Clear Anodized *(Standard)*

Architectural Class II (204-R1) AA M12C22A31 Thickness to be .4 mil and shall conform to AAMA 607.1-77.

Clear Anodized *(Optional - consult factory)*

Architectural Class I (215-R1) AA M12C22A41 Thickness to be .7 mil and shall conform to AAMA 607.1-77.

Dark Bronze Anodized *(Standard)*

Black Anodized *(Standard)*

_____ *(Insert a nodized color selected by Architect. Optional - consult factory)*

Architectural Class I with electrolytically deposited color AA M12C22A44. Thickness to be .7 mil and shall conform to AAMA 608.1-77.

Bronze Paint *(Standard)*

White Paint *(Standard)*

_____ *(Insert custom paint color selected by Architect. Optional - consult factory)*

AA M12C41R1X. Baked acrylic enamel organic finish electrostatically applied over pretreated aluminum. Finish shall be a one coat, one bake paint system with a .8 mil minimum overall dry film thickness and shall conform to AAMA 2603.

_____ *(Insert custom paint color selected by Architect. Optional - consult factory)*

AA M12C41R1X. High performance organic finish electrostatically applied over pretreated aluminum. Finish shall be based on 50% fluoropolymer resin and be applied as a two coat, two bake paint system with a 1.2 mil minimum thickness and shall conform to AAMA 2604. *(Some colors may require a clear protective topcoat to protect the pigmented coating.)*

_____ *(Insert custom paint color selected by Architect. Optional - consult factory)*

AA M12C41R1X. High performance organic finish electrostatically applied over pretreated aluminum. Finish shall be based on 70% fluoropolymer resin and be applied as a two coat, two bake paint system with a 1.2 mil minimum thickness and shall conform to AAMA 2605. *(Some colors may require a clear protective topcoat to protect the pigmented coating.)*

Installation

Windows shall be installed, glazed and adjusted by experienced installers in accordance with the manufacturer's installation instructions and/or approved shop drawings.

Protection and Cleaning

After installation all metal surfaces shall be cleaned to remove mortar, plaster, paint or other contaminants. After cleaning, all work shall be protected against damage until it is accepted by the General Contractor. Thereafter, it shall be the responsibility of the General Contractor to maintain protection and provide final cleaning.