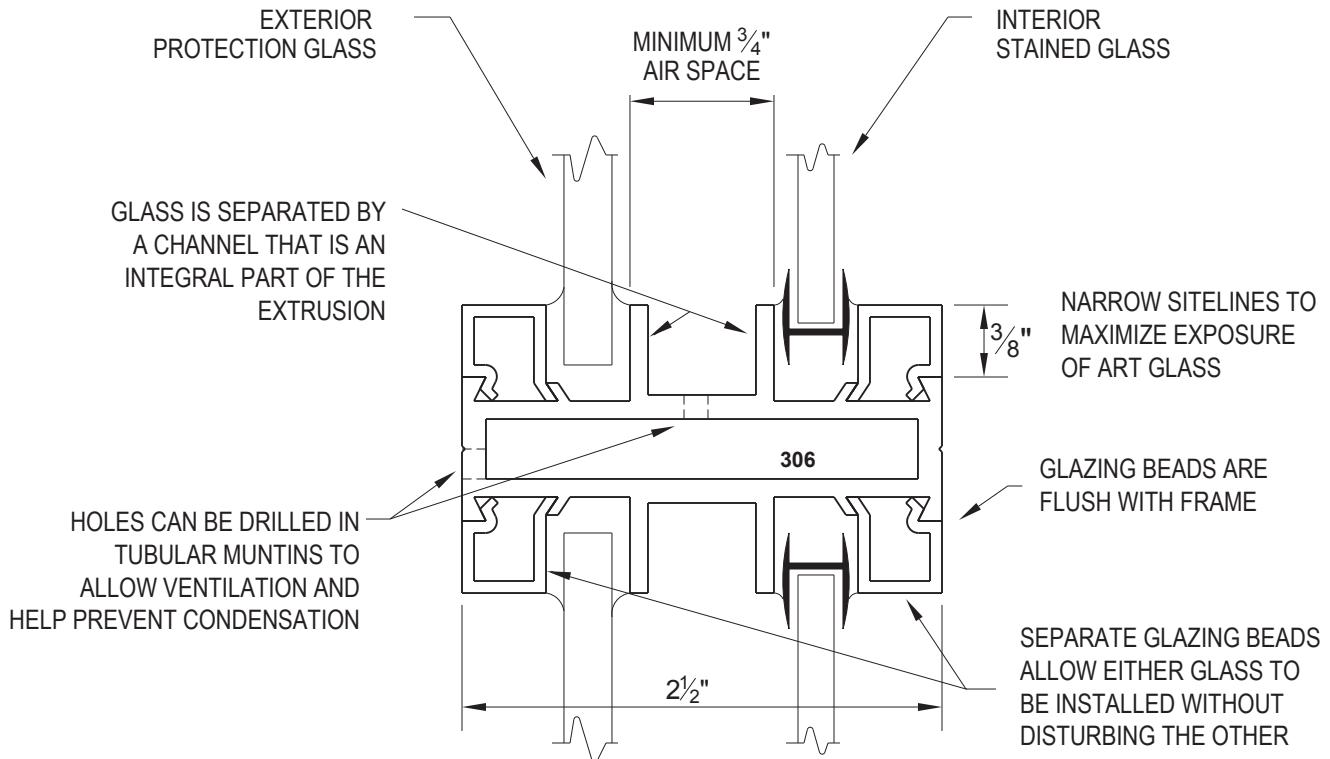


The 300 series is the aluminum double glazed church window that has been the "standard" of the industry for over 50 years. It is specially designed to receive stained glass on the interior and protective glass on the exterior. This "Double Glazing" protects the stained glass from vandalism while also insulating from the heat and cold and reduces outside noise infiltration. The insurance and fuel costs can be substantially lower as a result of this "Double Glazing".



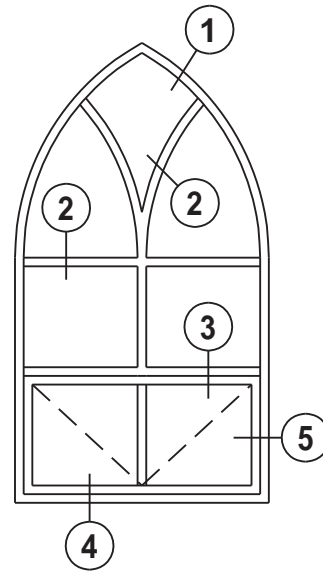
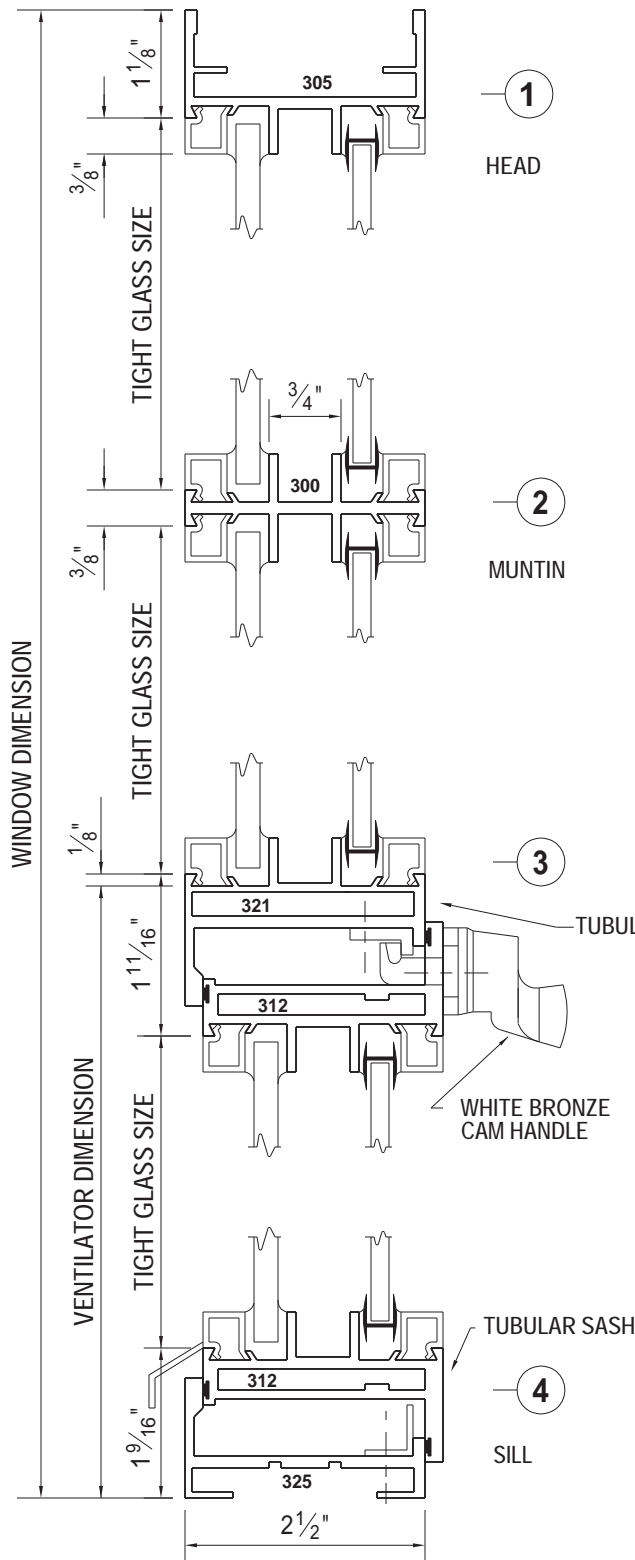
Features:

SCALE = FULL SIZE

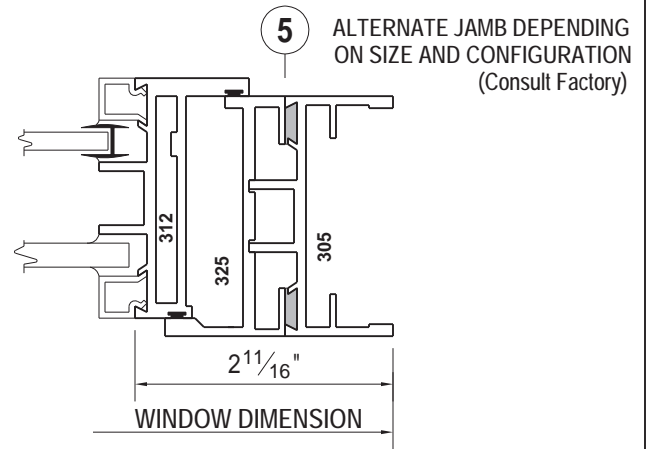
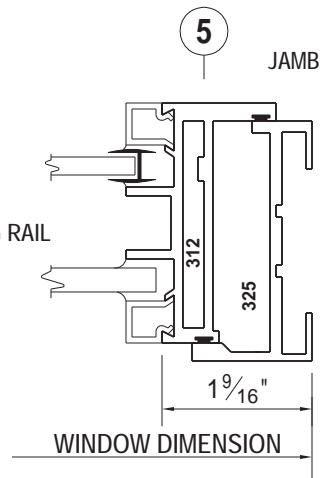
- All frame and sash members are a full 2½" deep.
- A minimum ¾" air space between the art and protection glass without the aid of back putty to maximize the benefit of Double Glazing (*anything less is a false economy*).
- The channel that separates the glass is an integral part of the extrusion that also acts as a condensation gutter, and helps prevent theft, and air and water leakage.
- Either glass can be installed or replaced without disturbing the other. The exterior glass can be installed at time of erection to close up the building and the stained glass installed at a later date of the churches own convenience or when the necessary funds are available. (*Art glass can be an excellent fund raiser.*)
- Ventilators are available as project-in, project-out and the standard horizontally center pivoted. (*Center pivoted vents are recommended because the weight of the sash is evenly balanced for ease of operation and chain operation is a safe alternative to window poles.*)
- All double glazed ventilators are of overlap design to minimize sitalines.



FIXED OVER PROJECT-IN VENT



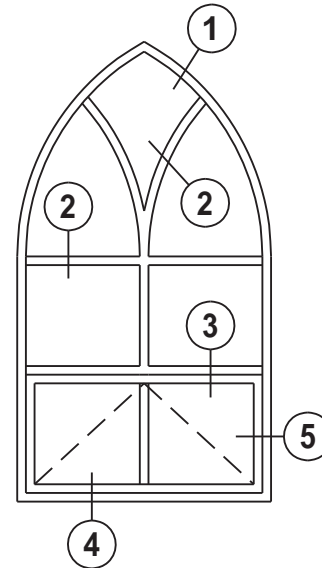
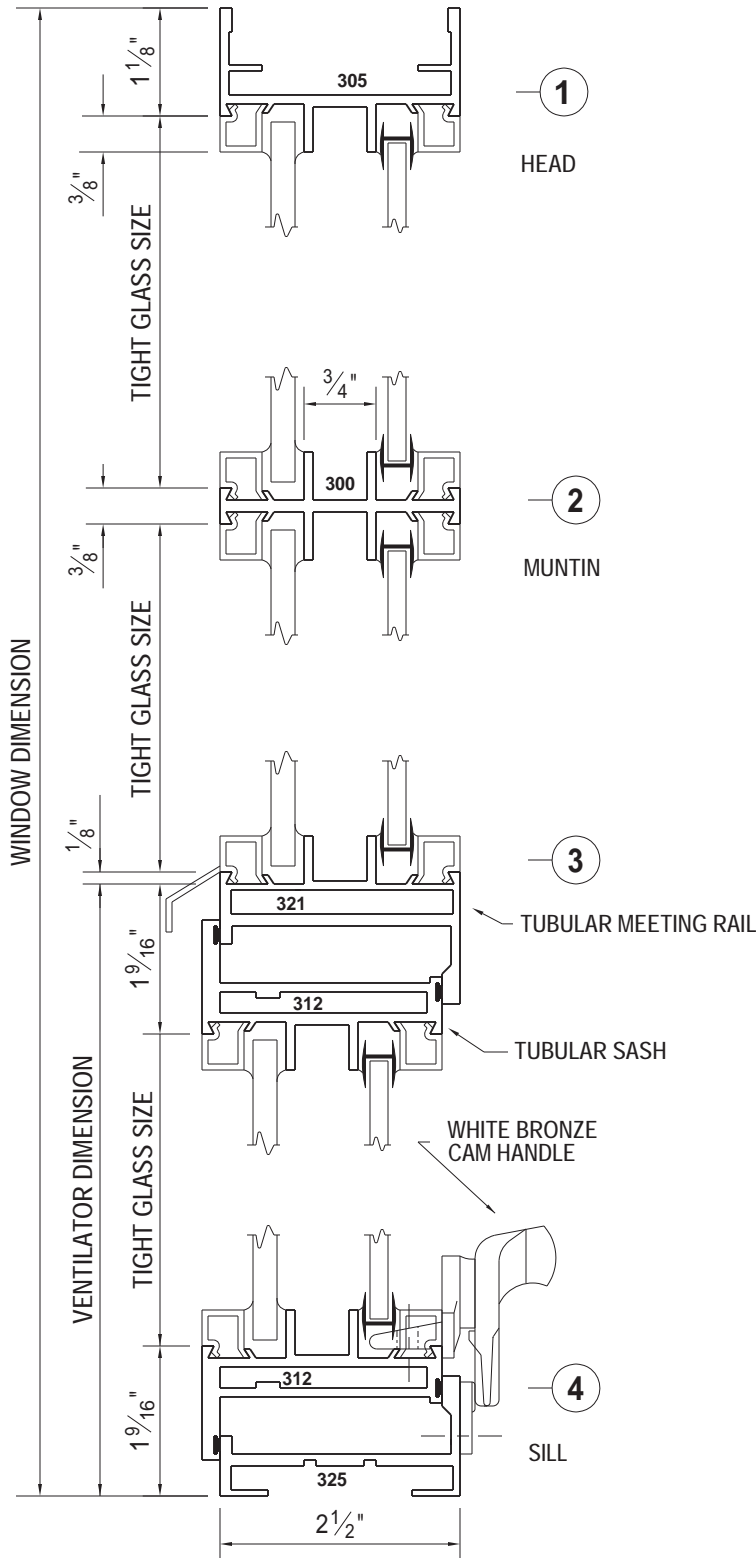
Typical Elevation



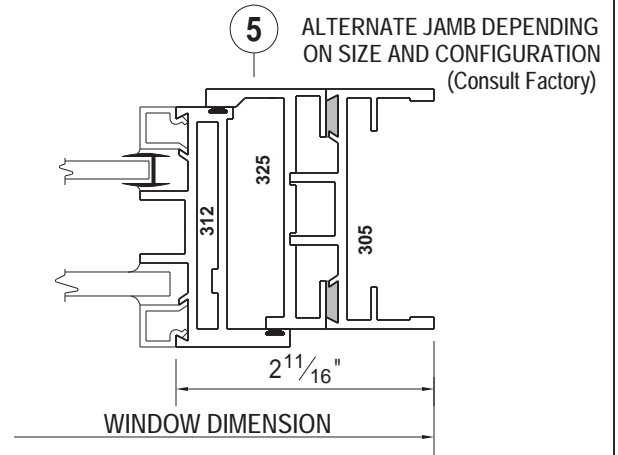
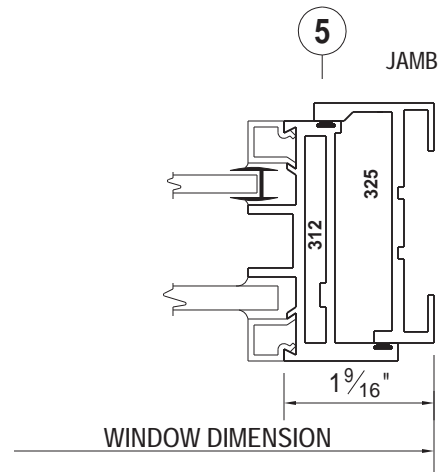
SCALE = HALF SIZE



FIXED OVER PROJECT-OUT VENT



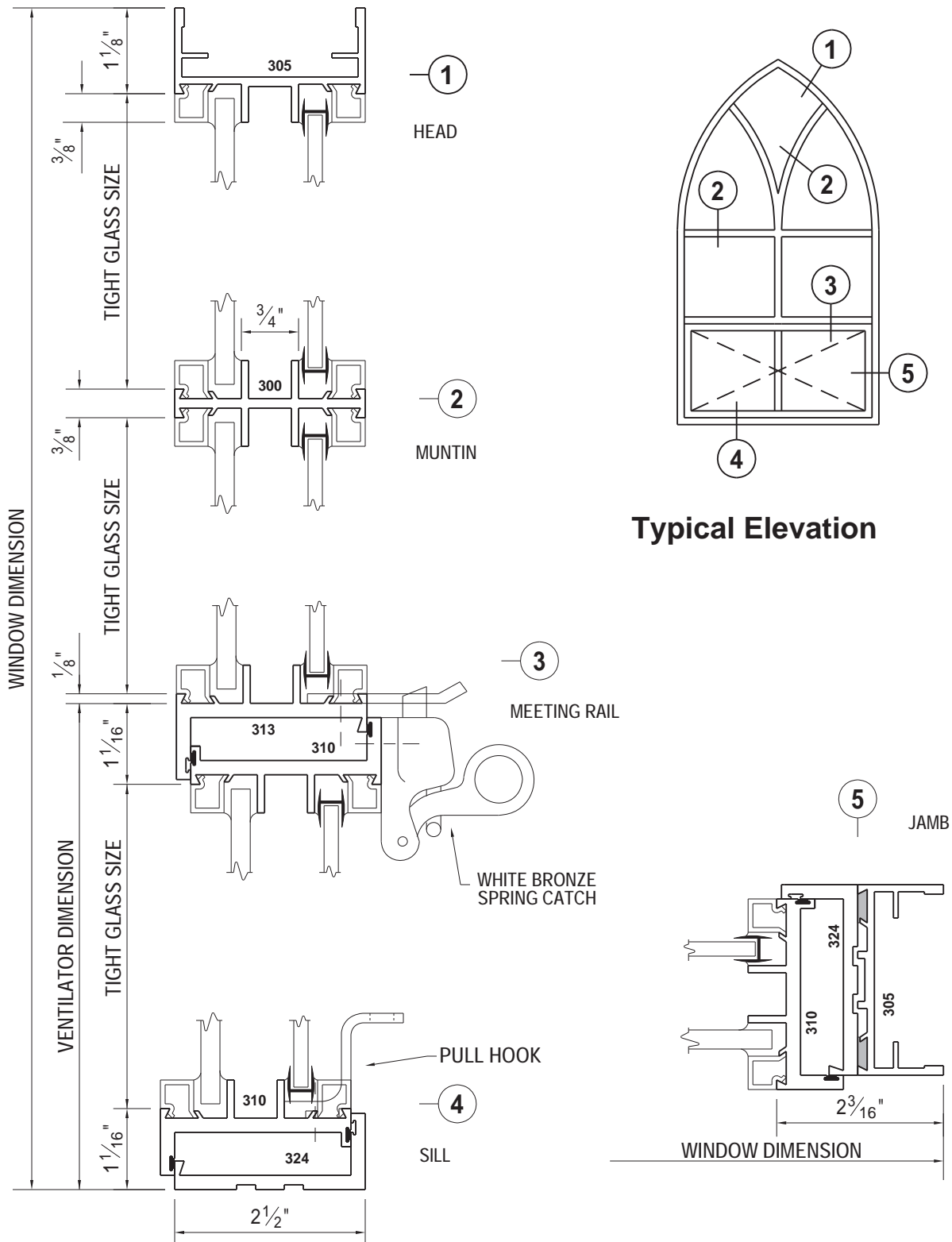
Typical Elevation



SCALE = HALF SIZE



FIXED OVER CENTER-PIVOT VENT



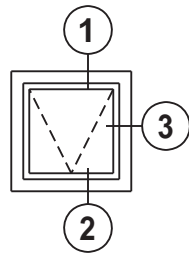
SCALE = HALF SIZE



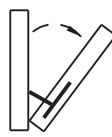
Since 1906

America's finest custom windows

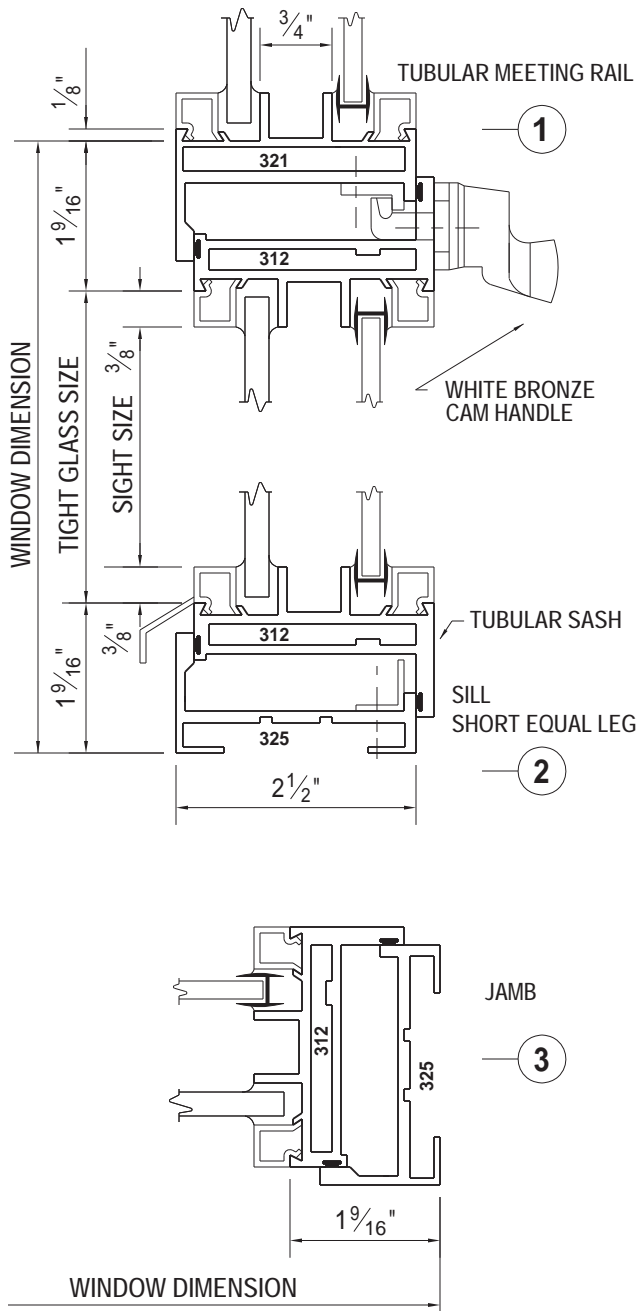
PROJECT-IN



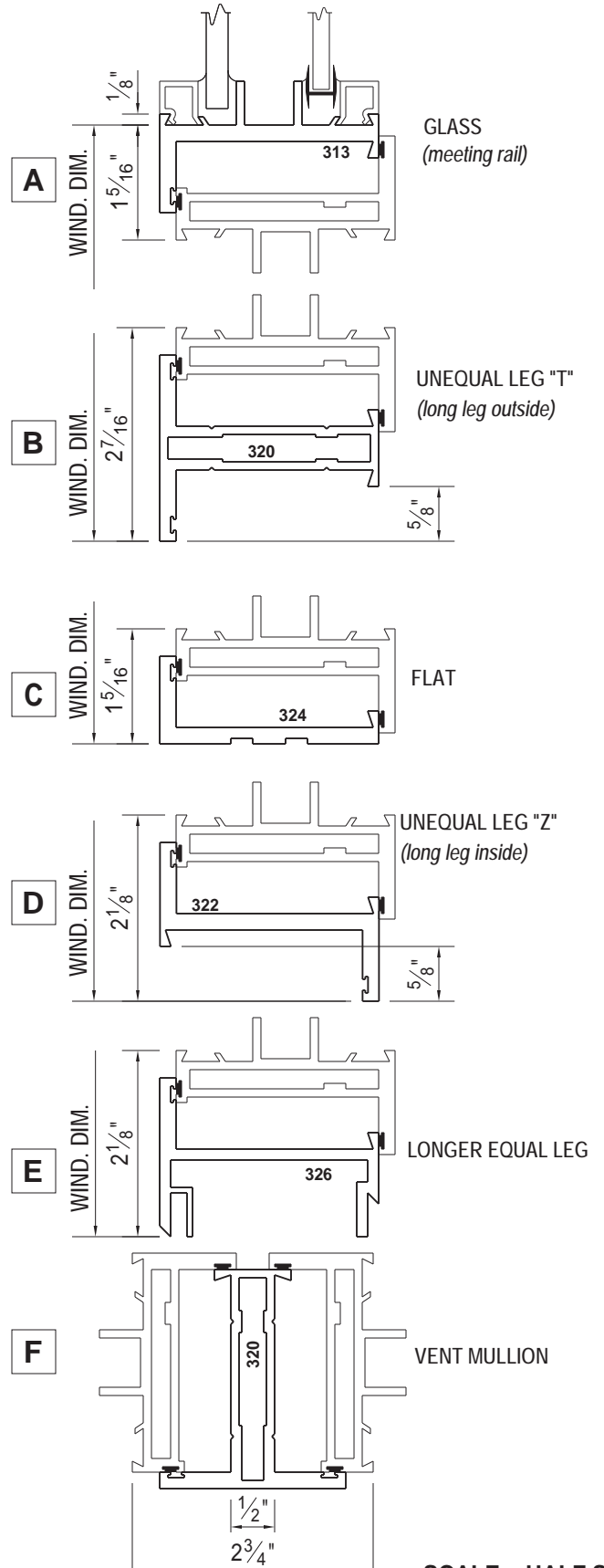
OPEN IN



Standard Bottom Ventilator (glass on top, equal leg jambs and sill)



Alternate project-in ventilator sections that can be used at head, sill or jamb.



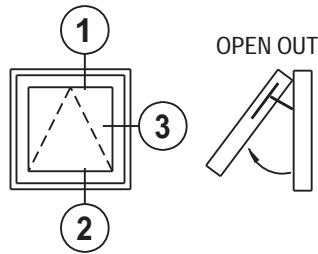
SCALE = HALF SIZE



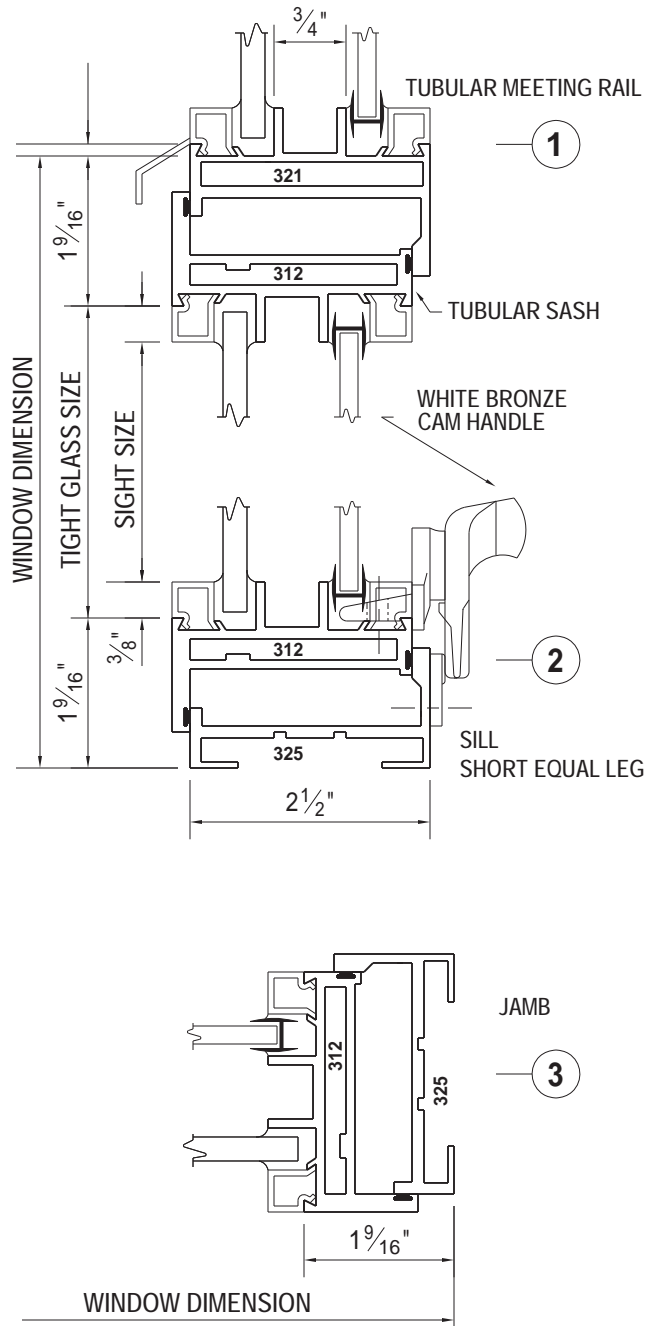
Since 1906

America's finest custom windows

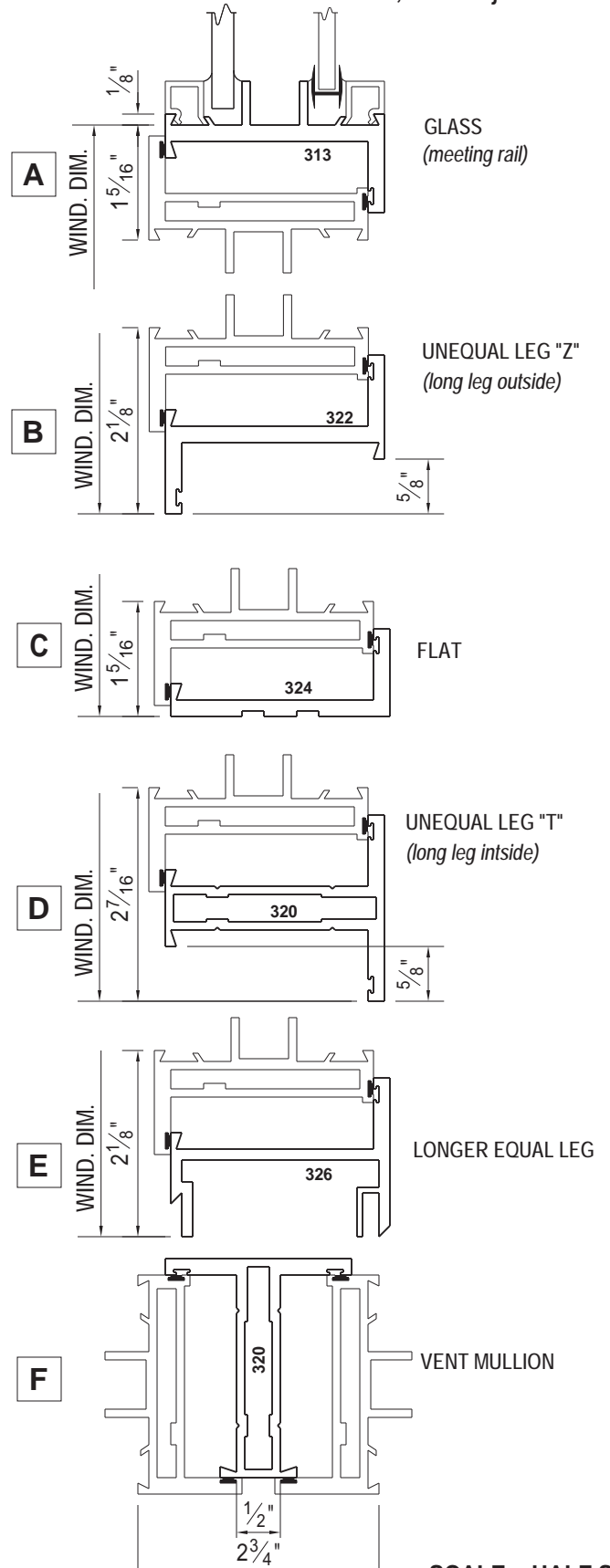
PROJECT-OUT



Standard Bottom Ventilator (glass on top, equal leg jambs and sill)



Alternate project-out ventilator sections that can be used at head, sill or jamb.

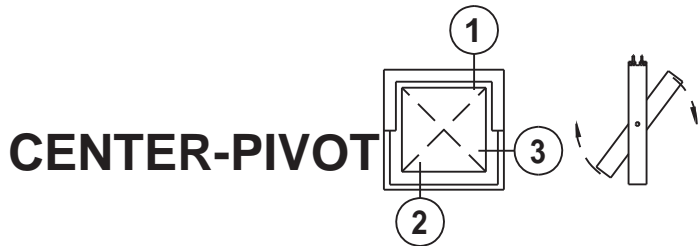


SCALE = HALF SIZE

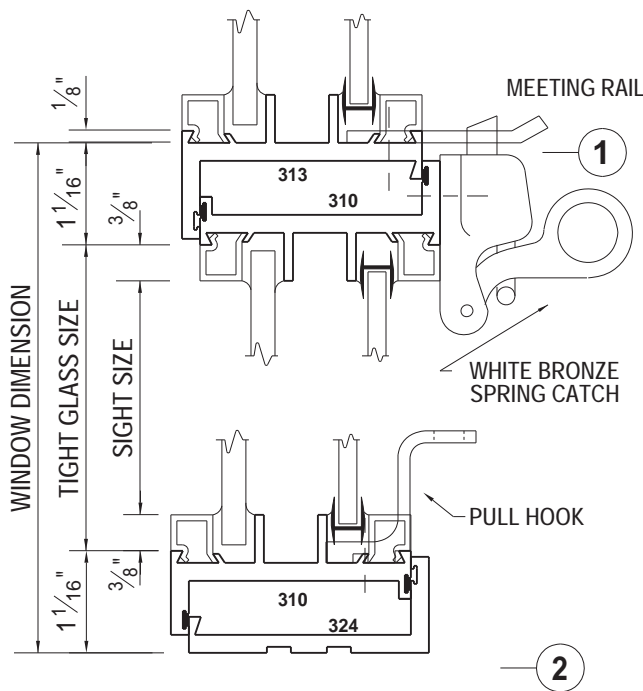


Since 1906

America's finest custom windows



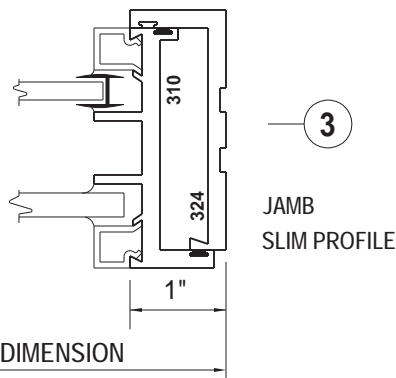
Standard Bottom Ventilator
(glass on top, flat jambs and sill)



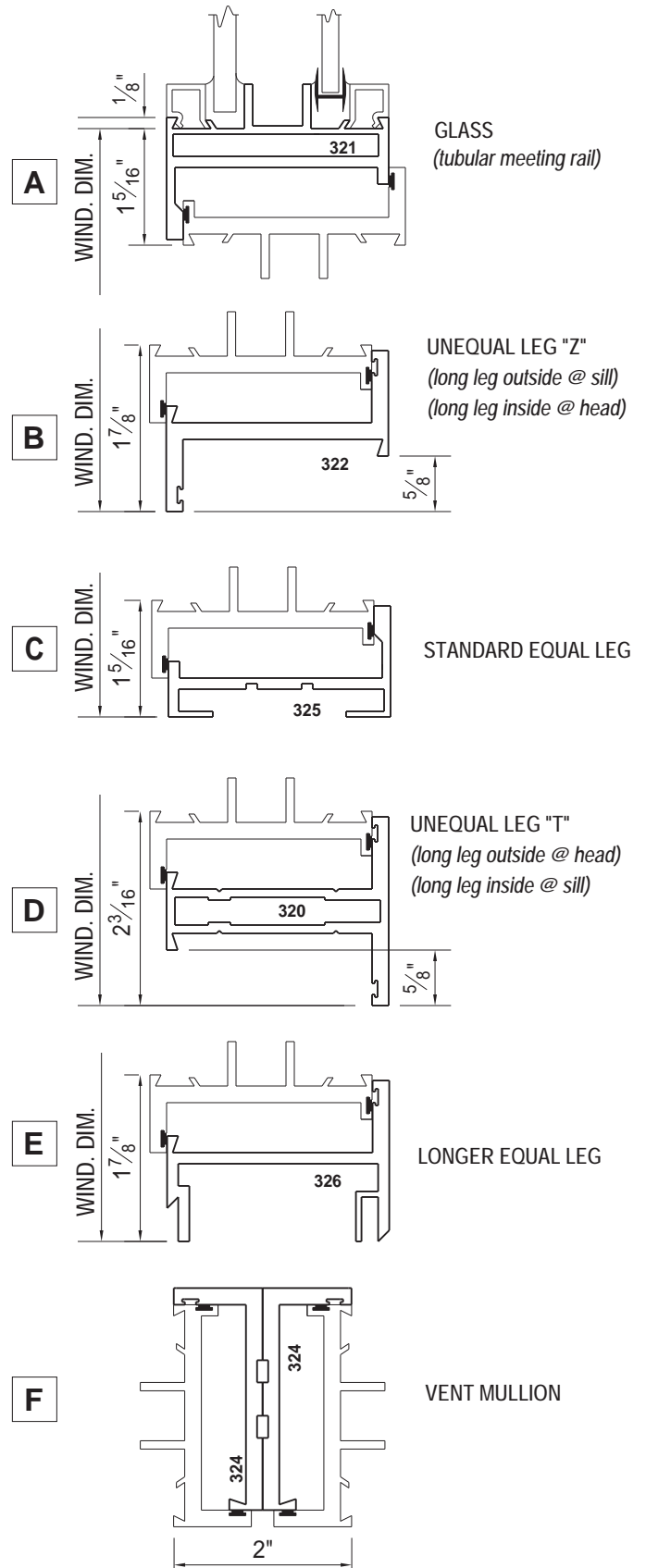
2

SILL
FLAT

Center pivot ventilators can only
use section # 324 at the jambs.
(Consult factory)



Alternate pivoted ventilator sections
that can be used at head or sill.



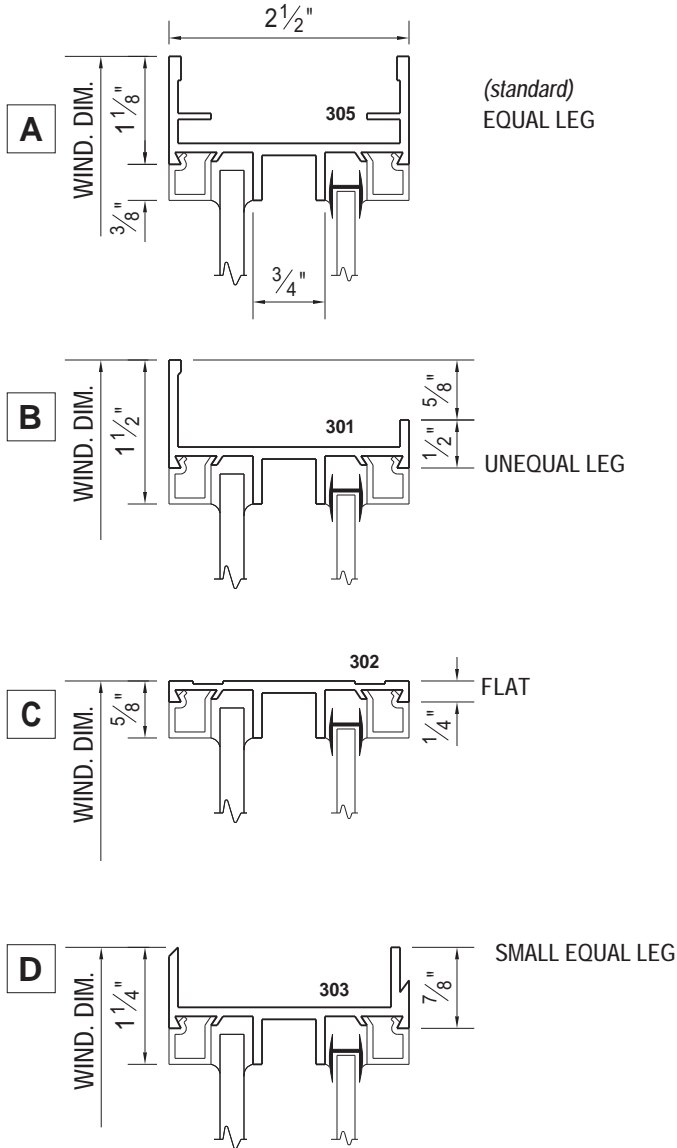
SCALE = HALF SIZE



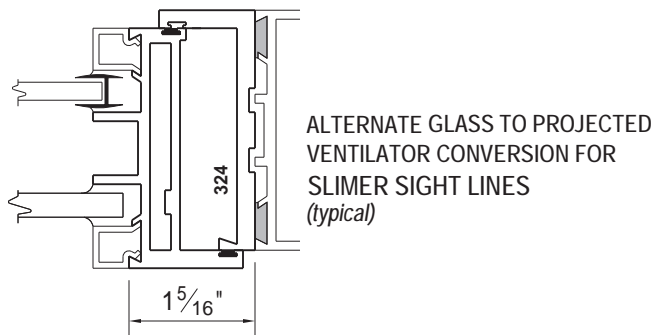
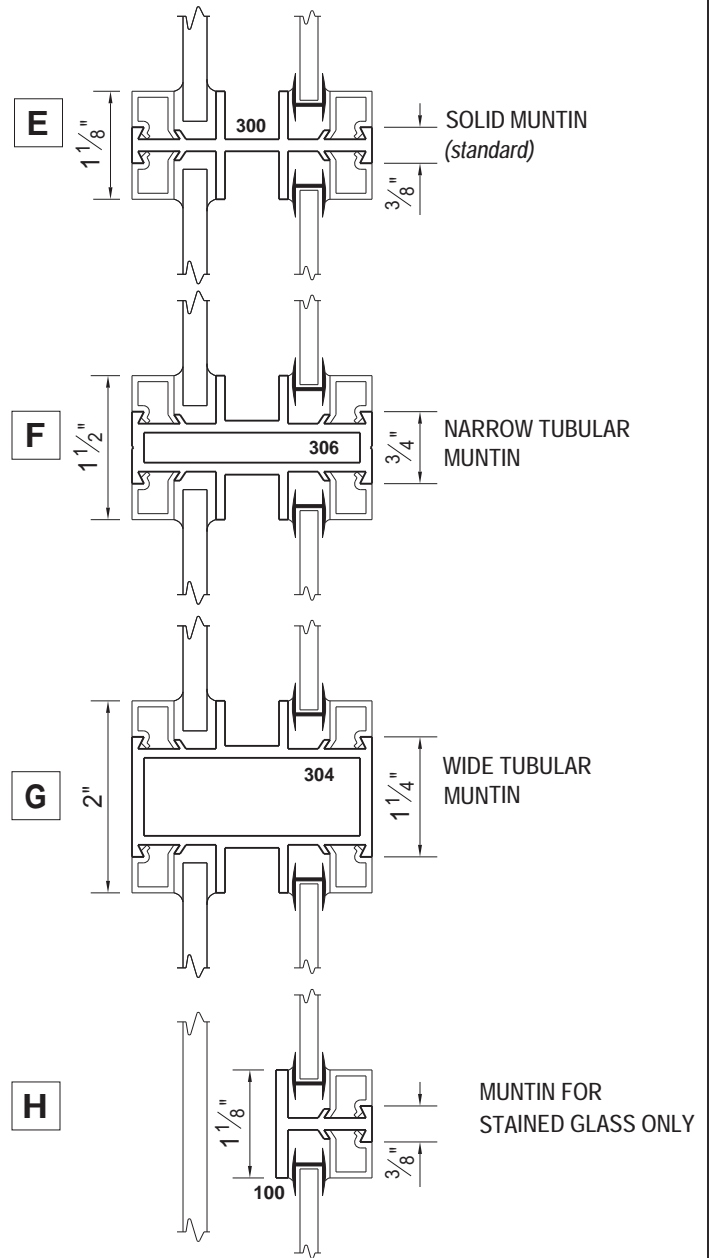
Since 1906

America's finest custom windows

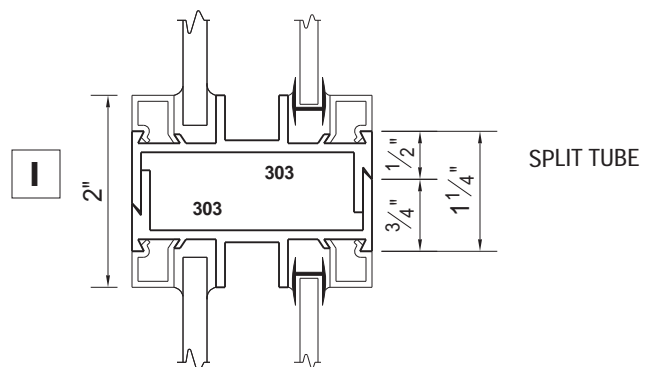
Fixed Perimeter Frame Sections



Muntins



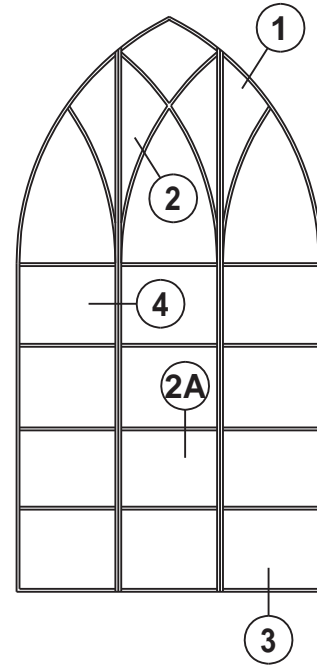
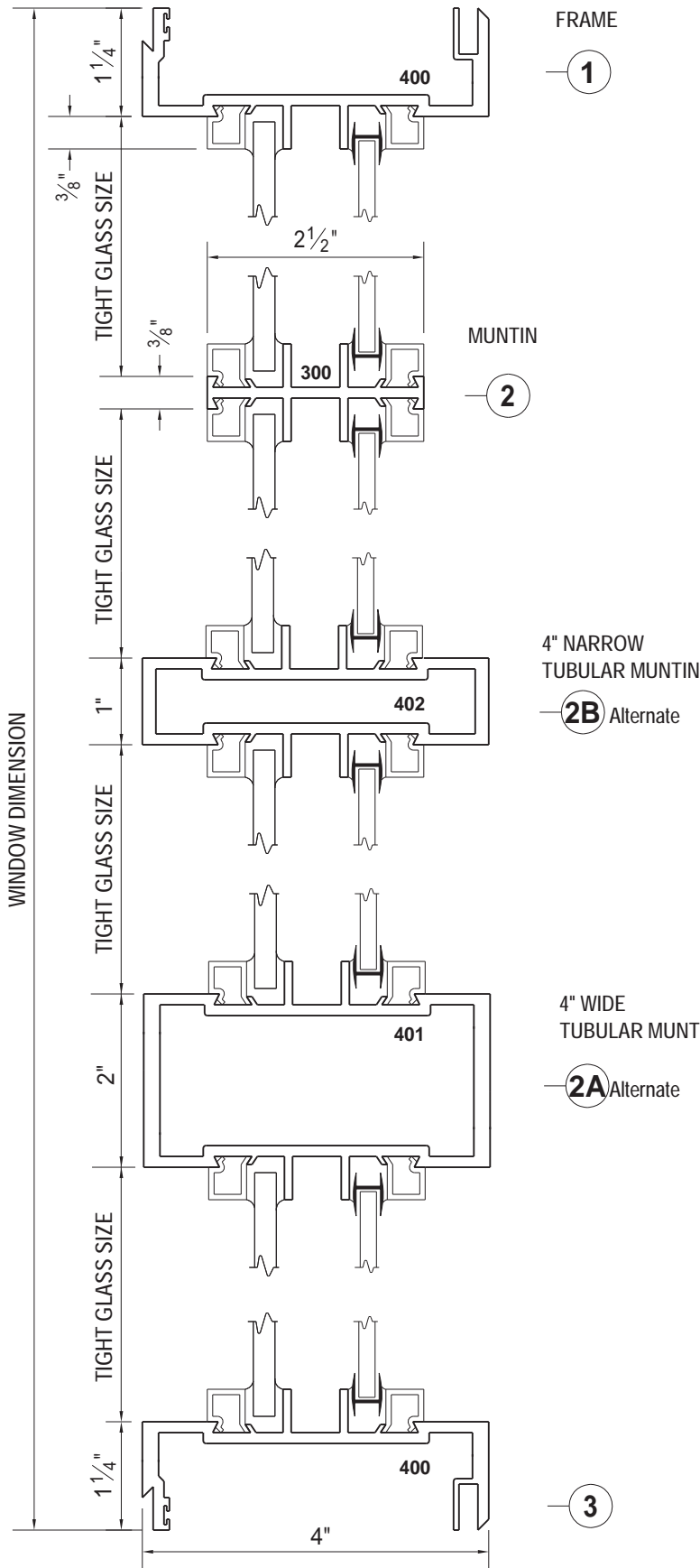
Vertical and Horizontal Stacking



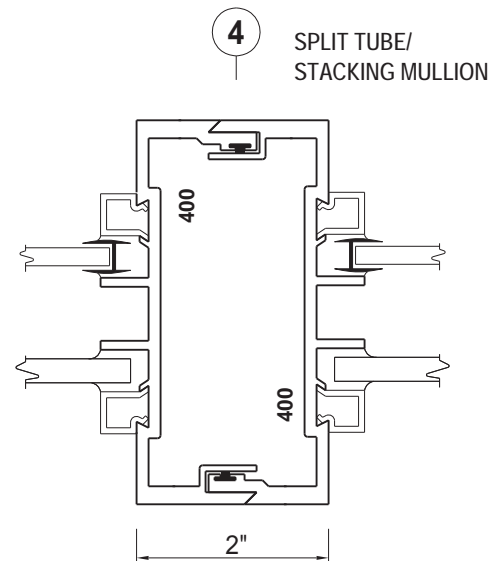
SCALE = HALF SIZE



The 400 Series is 4" deep and is used for large windows or for design variation. The 400 Series lines up with, and is interchangeable with the 300, 500 and 600 Series. 300 Series ventilators can easily be incorporated into the 400 Series. All sections can be used horizontally or vertically.



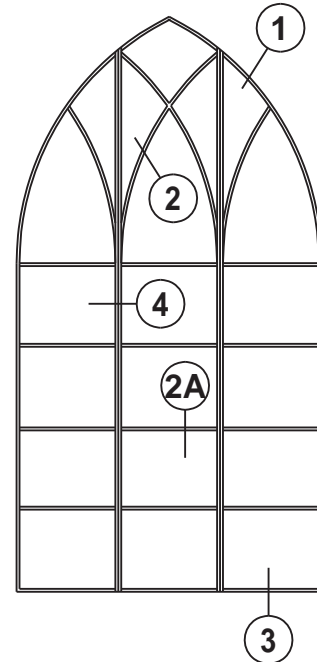
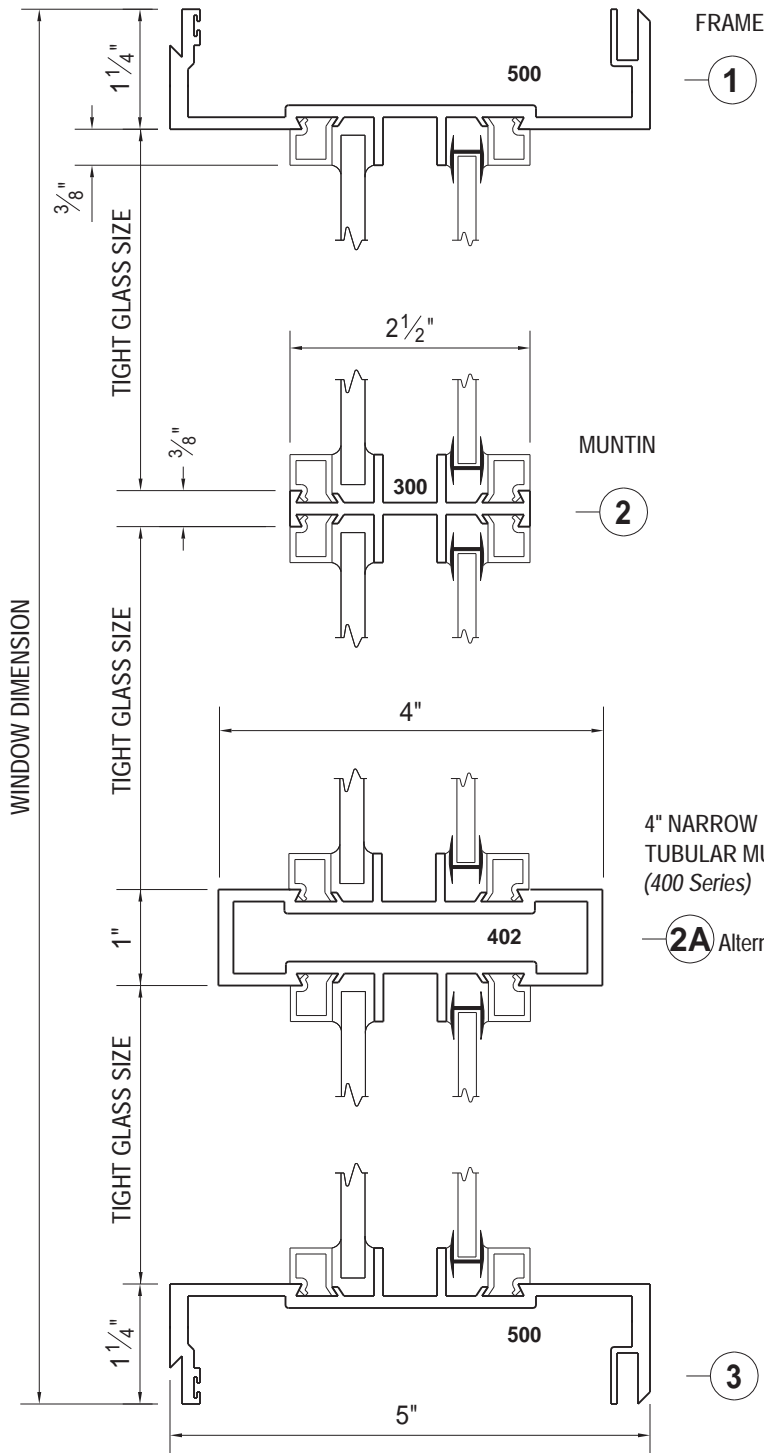
Typical Elevation



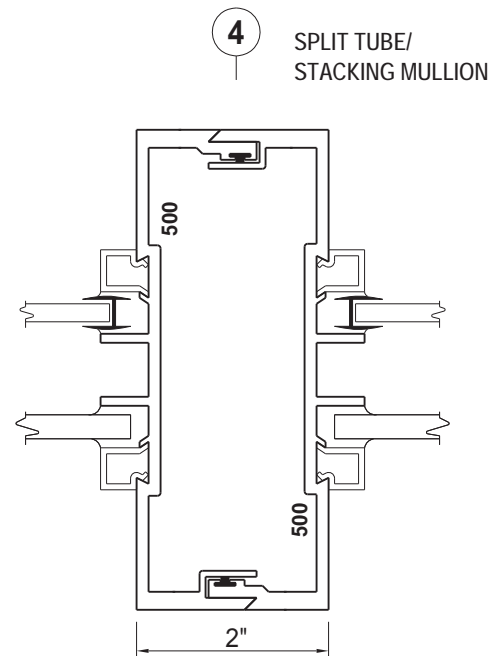
SCALE = HALF SIZE



The 500 Series is 5" deep and is used for very large windows or for design variation. The 500 Series lines up with, and is interchangeable with the 300, 400 and 600 Series. 300 Series ventilators can easily be incorporated into the 500 Series. All sections can be used horizontally or vertically.



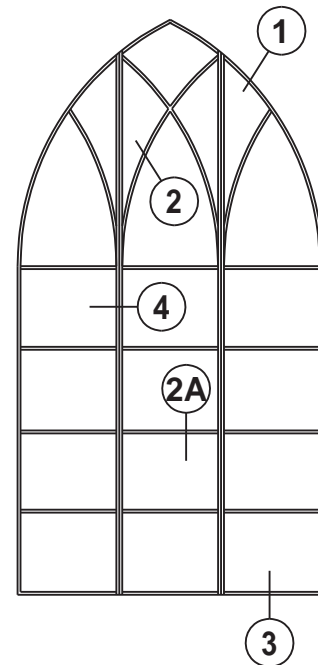
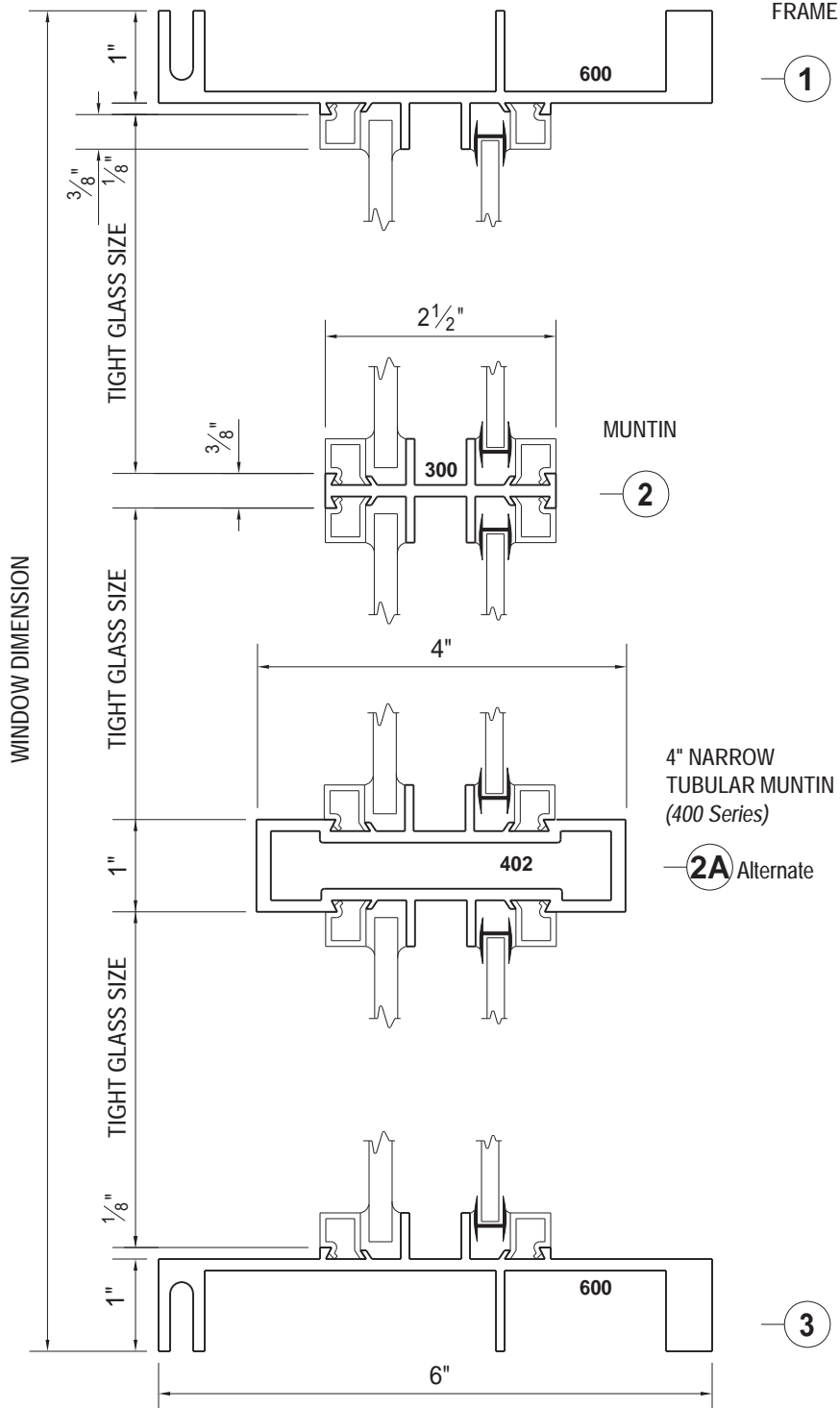
Typical Elevation



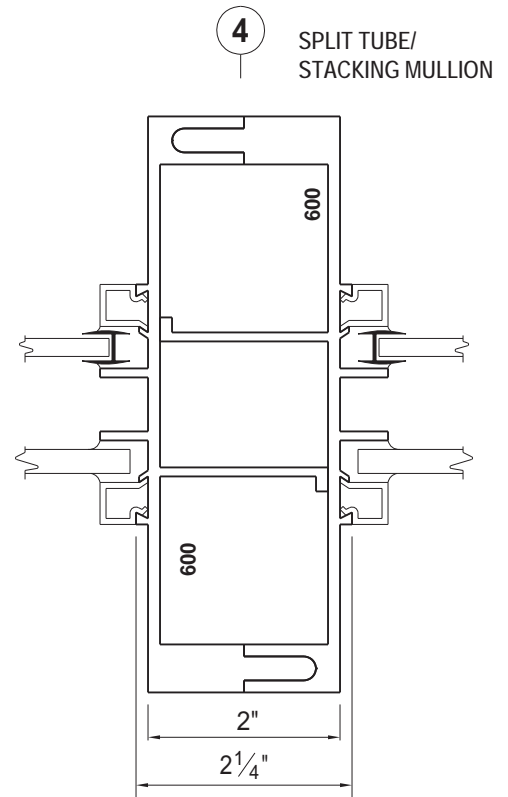
SCALE = HALF SIZE



The 600 Series is 6" deep and is used for very large windows or for design variation. The 600 Series lines up with, and is interchangeable with the 300, 400 and 500 Series. 300 Series ventilators can be easily incorporated into the 600 Series. All sections can be used horizontally or vertically.



Typical Elevation



SCALE = HALF SIZE



300/400/500/600 SERIES GUIDE SPECIFICATIONS
Fixed, Projected, Casement and Center Pivoted
SECTION 08 51 13 ALUMINUM WINDOWS (08520)

(Text in parentheses and italics are notes to spec writer and are not to be included in specification.)

Part 1 GENERAL

1.01 Work Included

- A. Furnish and install aluminum architectural windows complete with all necessary hardware and related components as shown on drawings and specified in this section.
- B. Glass and Glazing
 - 1. Refer to Section 08 81 00 – Glass and Glazing (08800) for glazing of window units.

1.02 Related Work

- A. Section 07 92 00 – Joint Sealants (09715)
- B. Section 08 32 00 – Sliding Glass Doors (08314)
- C. Section 08 41 00 – Entrances and Storefronts (08400)
- D. Section 08 42 33 – Balanced Entrance Doors (08480)
- E. Section 08 51 66 – Metal Window Screens (08586)
- F. Section 08 44 00 – Curtain Walls and Glazed Assemblies (08900)
- G. Section 08 44 33 – Sloped Glazing Assemblies (08960)

1.03 References (See AAMA GS-001 and AAMA 101 For Current Applicable Listings)

- A. AAMA (American Architectural Manufacturers Association):
- B. ANSI (American National Standards Institute):
- C. ASTM (American Society for Testing and Materials):
- D. CPSC (Consumer Product Safety Commission):
- E. FGMA (Flat Glass Marketing Association):
- F. GSA (General Services Administration):

1.04 Items Installed But Not Furnished

(Enter description, e.g., louver supplied by others to be installed in new window)

1.05 Items Furnished But Not Installed

(Enter description, e.g., extra sash sets to be supplied and stored for the future)

1.06 Testing and Performance Requirements

- A. Windows shall conform to all ANSI/AAMA 101-88 C50 requirements. In addition, the following specific performance requirements must be met.
- B. Test Procedure and Performance Requirements
 - 1. Air Infiltration: When tested in accordance with ASTM E 283-83, air infiltration shall not exceed 0.003 cfm/ft under a static pressure drop of 6.24 psf.
 - 2. Water Resistance: When tested in accordance with ASTM E 331-83 and ASTM E 547-83 there shall be no water leakage when the window is subjected to a pressure drop of 7.50 psf. (HC50).
 - 3. Uniform Structural Load Test: When tested in accordance with ASTM E 330-79 with a static pressure difference of 150 psf exterior (positive) and 150 psf interior (negative) there shall be no glass breakage, permanent damage to fasteners, hardware parts or actuating mechanisms which would cause the window to be inoperable. Permanent deformation of any frame or vent member shall not exceed .2% of its span. (HC100).

1.07 Quality Assurance

- A. Test reports from an independent certified laboratory shall be available upon request.

1.08 Submittals



- A. The window manufacturer shall submit shop drawings, finish samples, test reports, warranties and maintenance manuals per the requirements of architect.

1.09 Delivery, Storage and Handling

- A. Store and handle windows and other components in strict compliance with manufacturer's instructions.
- B. Protect units against damage from the elements, construction activities and other hazards before, during, and after installation.

1.10 Warranties

- A. Submit written warranties from window manufacturer for the following:
 - 1. Windows: Windows furnished are certified as fully warranted against any defects in material or workmanship under normal use and service for a period of one (2) years from date of fabrication.
 - 2. Finish: The pigmented organic finishes on windows and component parts (such as panning, trim, mullions, and the like) are certified as complying fully with the requirements of the AAMA 260X specification and fully warranted against chipping, peeling, cracking or blistering for a period of five (5) years from date of installation.

Part 2 PRODUCTS

2.01 Manufacturers

- A. All windows shall be Series No. *(Architect to select either or any combination.)*
 - 300 2 1/2" deep
 - 400 4" deep
 - 500 5" deep
 - 600 6" deepdouble glazed church window designed to receive monolithic protection glass on the art glass on the interior as manufactured by J. Sussman, Inc. of 109-10 180 St., Jamaica NY 11433.
- B. Other manufacturers desiring approval shall:
 - 1. Furnish a sample window and valid test reports indicating full compliance with all performance requirements of this specification at least 10 days prior to bid date.
 - 2. Have been engaged in the fabrication of aluminum windows for ten years and this type of window for 5 years and shall submit for review a list of similar completed projects.
 - 3. Approval of "equal" products shall be in the form of a written addendum. Substitute products not pre-approved by the Architect via addenda will not be considered.
 - 4. Base bid will be J. Sussman, Inc.

2.02 Materials

- A. Extruded aluminum shall be 6063-T5 alloy and temper with a minimum ultimate tensile strength of 22,000 psi. Comply with ASTM B 221
- B. Fasteners shall be aluminum, stainless steel or other materials warranted by the manufacturer to be non-corrosive and compatible with aluminum window members, trim, hardware, anchors and other components of the window units.

2.03 Fabrication

- A. General
 - 1. All main sections shall have a minimum depth of 2 1/2" with wall thicknesses ranging from .094 to .125. *(For the 400, 500, and 600 Series add the following depth that applies: Frame and required muntins shall be 4, 5, or 6" in depth.)*
 - 2. Glazing rebates shall not be less than 3/8" in height.
 - 3. Interior art glass muntins shall be 1 1/8" deep with 1/8" walls.
 - 4. The airspace between the art and protection glass shall be a minimum of 3/4" without the aid of back putty. *(Anything less than 3/4" minimizes the benefits of double glazing.)*
 - 5. The extruded window members shall form a channel separating the glass which will also act as a condensation gutter.
 - 6. This channel shall be an integral part of the aluminum extrusion. An applied piece will not be accepted.
 - 7. Either glass shall be able to be removed or installed without disturbing the glass on the opposite side.
 - 8. All joints shall be cut to a hairline fit and be either fully sigma arc welded or shall be heavy angle reinforced, cold welded with epoxy adhesive and hydraulically crimped.

9. All joints shall be factory sealed.

B. Ventilators

1. Ventilators shall be horizontally center pivoted (*standard*), project-in, project-out, or combinations thereof as shown on plans. (*Horizontally center pivoted ventilators are recommended because they operate the easiest as the heavy leaded glass and the protection glass are balanced in the center thereby distributing the weight.*)
2. All sash extrusions for project-in and project-out ventilators shall be tubular.
3. Each corner of projected ventilator sashes shall be mitered, heavy angle reinforced cold welded and hydraulically crimped.
4. Sash for center pivoted ventilators shall have a 3/16" nominal wall thickness and corner construction shall be fully welded by the sigma arc method.
5. Ventilators and frames must be on the same plane and present a flush interior and exterior surface. Overlap or extensions of ventilators beyond the frame will not be acceptable.
6. Projected ventilators shall operate in two specially designed wear resistant weatherproof nylon glides independent of the hinge to insure both maximum alignment and weather tightness in the closed position.
7. The void between the ventilator sash and frame shall be pressure equalized to outside conditions.

C. Glazing Beads

1. Glazing beads shall be extruded from 6063-T5 alloy and be not less than .050 thick.
2. The glazing beads will be snap in type to securely interlock into the extruded window members without extending underneath the glass.
3. They shall be factory fitted and attached.
4. Glazing beads shall also be secured with stainless steel fasteners where required.

D. Weatherstripping

1. Each sash shall have 3 continuous rows of tested Schlegel Q-Lon weatherstripping installed in specially designed dovetail grooves.
2. Weatherstripping shall have a rigid backing that will resist pullout. A single durometer vinyl or rubber weatherstripping will not be accepted.

E. Screens (*Optional*)

1. Insect screens shall be constructed of extruded aluminum tubular frames. Roll formed screen frames will not be accepted.
2. Screens for project in ventilators and in-swing casements shall be removable from the interior.
3. Screens for project-out ventilators and push/pull operated out-swing casements shall be of the hinged wicket type. Screen frames shall be finished to match the windows.
4. Screen cloth shall be 18x16 fiberglass mesh. (*Aluminum mesh optional.*)
5. Screen spline shall be extruded vinyl, removable to permit re-screening.
6. Screen mounting holes in the windows frame shall be factory drilled.

2.04 Hardware

- A. Hardware shall conform to the requirements of the ventilator and shall be factory fitted and attached with stainless steel screws.
- B. Locking handles for projecting ventilators shall be cam type and be solid white bronze with a US25D satin polished finish. (*Custodial locks and pole-operated handles are optional.*)
- C. Projected ventilators shall operate on stainless steel four bar heavy duty concealed friction hinges conforming to AAMA 904.1.
(*Casements, in-swing or out-swing, are not usually recommended for this series. Consult factory*)
- D. Out-Swing Casements shall operate on (*choose one*)
 1. (*Standard*) stainless steel four bar heavy duty concealed friction hinges conforming to AAMA 904.1.
 2. (*Optional*) 5 knuckle extruded aluminum butt hinges with 1/4" diameter stainless steel pins and nylon bushings and (*choose one*)
 - a. (*Option 1*) Zinc die cast roto operators compatible with aluminum and shall meet ASTM E405.
 - b. (*Option 2*) heavy duty stainless steel friction adjusters.
 - c. (*Option 3*) stainless steel limit opening devices with release key.



- E. In-Swing Casements shall operate on *(choose one)*
 - 1. *(Standard)* stainless steel four bar heavy duty concealed friction hinges conforming to AAMA 904.1.
 - 2. *(Optional)* 5 knuckle extruded aluminum butt hinges with 1/4" diameter stainless steel pins and nylon bushings *(the following are optional with butt hinges)*
 - a. *(Option 1)* and heavy duty stainless steel friction adjusters.
 - b. *(Option 2)* and stainless steel limit opening devices with release key.
- F. Center pivoted ventilators shall lock with a white bronze spring catch and have a hook at the bottom for chain operation.
- G. Center pivoted ventilators shall operate on special aluminum pivots and shall be concealed and guaranteed not to wear out for the life of the ventilator.

2.05 Finish

- A. The finish of the aluminum windows shall be *(Architect to select)* *(Standard finishes are considerably less expensive and lead times for windows are much shorter with standard finishes.)*
 - 1. Architectural Class II Anodic (204-R1) AA M12-C22-A31 Thickness to be .4 mil and shall conform to AAMA 611-98.
 - a. Color: Clear Anodized *(Standard)*
 - 2. Architectural Class I Anodic (215-R1) AA M12-C22-A41 Thickness to be .7 mil and shall conform to AAMA 611-98.
 - a. Color: Clear Anodized *(Optional - Consult factory)*
 - 3. Architectural Class I Anodic with electrostatically deposited color AA-M12-C22-A44. Thickness to be .7 mil and shall conform to AAMA 611-98.
 - a. Color: Dark Bronze Anodized *(Standard)*
 - b. Color: Black Anodized *(Standard)*
 - c. Color: _____ *(Insert anodized color selected by Architect. Consult factory)*
 - 4. Baked acrylic enamel organic finish electrostatically applied over pretreated aluminum. Finish shall be a one coat, one bake paint system with a .8 mil minimum overall dry film thickness and shall conform to AAMA 2603.
 - a. Color: Bronze Paint *(Standard)*
 - b. Color: White Paint *(Standard)*
 - c. Color: _____ *(Insert custom paint color selected by Architect. Consult factory)*
 - 5. High performance organic finish electrostatically applied over pretreated aluminum. Finish shall be based on 50% fluoropolymer resin and be applied as a two coat, two bake paint system with a 1.2 mil minimum thickness and shall conform to AAMA 2604. *(Some colors may require a clear protective topcoat to protect the pigmented coating.)*
 - a. Color: _____ *(Insert custom paint color selected by Architect. Consult factory)*
 - 6. High performance organic finish electrostatically applied over pretreated aluminum. Finish shall be based on 70% fluoropolymer resin and be applied as a two coat, two bake paint system with a 1.2 mil minimum thickness and shall conform to AAMA 2605. *(Some colors may require a clear protective topcoat to protect the pigmented coating.)*
 - a. Color: _____ *(Insert custom paint color selected by Architect. Consult factory)*

PART 3 EXECUTION

3.01 Inspection

- A. Verify that openings are dimensionally correct and within allowable tolerances.
- B. Openings must be plumb, level, and clean.
- C. Provide a solid anchoring surface that is in accordance with approved shop drawings.

3.02 Installation

- A. Use only skilled craftsmen for work to be done in accordance with the manufacturer's installation instructions and/or approved shop drawings and specifications.



- B. Windows and materials must be set square and level.
- C. Adequately anchor to maintain positions permanently when subjected to normal thermal movement, specified building movement, and specified wind loads.
- D. Adjust Windows for proper operation after installation has been completed.
- E. Furnish and apply sealants to provide a weather tight installation at all joints and intersections and at opening perimeters. Wipe off excess material and leave all exposed surfaces and joints clean and smooth.

3.03 Protection and Cleaning

- A. After completion of window installation, all windows shall be inspected, adjusted, and left in working order.
- B. Windows shall be cleaned to remove mortar, plaster, paint or other contaminants.
- C. After cleaning, all work shall be protected against damage until it is accepted by the General Contractor.
- D. Thereafter, it shall be the responsibility of the General Contractor to maintain protection and provide final cleaning.
- E. Send to Architect, with copy to Owner, written recommendations for maintenance and protection of windows following Substantial Completion of Window Contract.

END OF SECTION

The above specifications are subject to change without notice.